

# DROP6

LOUDSPEAKERS

*Pendant Loudspeaker*



## USER MANUAL

## INDEX

1. IMPORTANT REMARK.....	3
2. IMPORTANT SAFETY INSTRUCTIONS .....	4
3. IMPORTANT NOTE.....	5
4. INTRODUCION .....	5
5. TECHNICAL FEATURES .....	5
6. CONNECTIONS.....	6
7. LOCATION AND MOUNTING .....	7
8. MECANICAL DIAGRAM .....	12
9. TECHNICAL SPECIFICATIONS.....	13

## 1. IMPORTANT REMARK




WARNING: SHOCK HAZARD - DO NOT OPEN  
AVIS: RISQUE DE CHOC ÉLECTRIQUE - NE PAS OUVRIR



The lightning flash with arrowhead symbol, within an equilateral triangle, is intended to alert the user to the presence of uninsulated “dangerous voltage” within the product’s enclosure that may be of sufficient magnitude to constitute a risk of electric shock to persons.



The exclamation point within an equilateral triangle is intended to alert the user to the presence of important operating and maintenance (servicing) instructions in the literature accompanying the appliance.

**WARNING (If applicable):** The terminals marked with symbol of “” may be of sufficient magnitude to constitute a risk of electric shock. The external wiring connected to the terminals requires installation by an instructed person or the use of ready-made leads or cords.

**WARNING:** To prevent fire or shock hazard, do not expose this equipment to rain or moisture.

**WARNING:** An apparatus with Class I construction shall be connected to a mains socket-outlet with a protective earthing connection.

## 2. IMPORTANT SAFETY INSTRUCTIONS

1. Read these instructions.
2. Keep these instructions.
3. Heed all warnings.
4. Follow all instructions.
5. Do not use this apparatus near water.
6. Clean only with dry cloth.
7. Do not block any ventilation openings. Install in accordance with the manufacturer's instructions.
8. Do not install near any heat sources such as radiators, heat registers, stoves, or other apparatus (including amplifiers) that produce heat.
9. Do not defeat the safety purpose of the polarized or grounding type plug. A polarized plug has two blades with one wider than the other. A grounding type plug has two blades and a third grounding prong. The wide blade or the third prong are provided for your safety. If the provided plug does not fit into your outlet, consult an electrician for replacement of the obsolete outlet.
10. Protect the power cord from being walked on or pinched particularly at the plugs, convenience receptacles, and at the point where they exit from the apparatus.
11. Only use attachments/accessories specified by the manufacturer.
12. Unplug the apparatus during lightning sorts or when unused for long periods of time.
13. Refer all servicing to qualified personnel. Servicing is required when the apparatus has been damaged in any way, such as power supply cord or plug is damaged, liquid has been spilled or objects have fallen into the apparatus, the apparatus has been exposed to rain or moisture, does not operate normally, or has been dropped.
14. Disconnecting from mains: When switching off the POWER switch, all the functions and light indicators of the unit will be stopped, but fully disconnecting the device from mains is done by unplugging the power cable from the mains input socket. For this reason, it always shall remain easily accessible.
15. Equipment is connected to a socket-outlet with earthing connection by means of a power cord.
16. The marking information is located at the bottom of the unit.
17. The apparatus shall not be exposed to dripping or splashing and that no objects filled with liquids, such as vases, shall be placed on apparatus.



**WARNING:** This product must not be discarded, under any circumstance, as unsorted urban waste. Take to the nearest electrical and electronic waste treatment centre.

NEEC AUDIO BARCELONA, S.L. accepts no liability for any damage that may be caused to people, animal or objects due to failure to comply with the warnings above.

### 3. IMPORTANT NOTE

Thank you for choosing our Ecler **DROP6 pendant loudspeaker!**

It is **VERY IMPORTANT** to carefully read this manual and to fully understand its contents before any connection in order to maximize your use and get the best performance from this equipment.

To ensure optimal operation of this device, we strongly recommend that its maintenance be carried out by our authorised Technical Services.

Ecler **DROP6** comes with a **3-year warranty**.

### 4. INTRODUCCION

DROP6 is a 6.5" 75W @ 8Ω 2-way pendant loudspeaker with a sleek design, featuring a 70/100V line transformer with 60/30/15 and 7.5W power selections, available in high and low impedance levels.

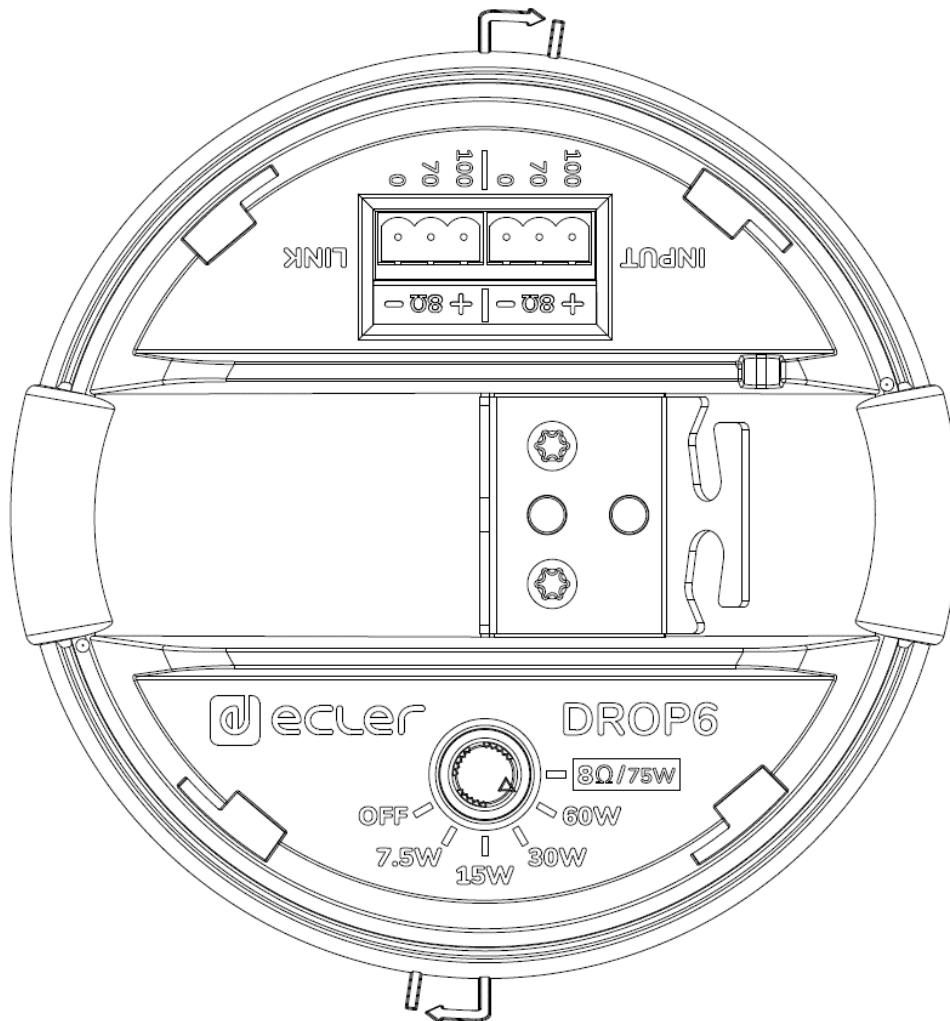
### 5. TECHNICAL FEATURES

- Two-way full-range pendant loudspeaker
- 75 W RMS @ 8 Ω
- 6.5" woofer / 1" tweeter.
- Compatible for use in high impedance (70V or 100V line) and low impedance (8Ω)
- Power selector: 4 options of 60W/30W/15W/7.5W in high impedance or one 75W option in low impedance
- ABS reinforced with fibreglass
- Paintable grille and speaker (white)
- INPUT/LINK double connector, Euroblock type
- Cable length: 5m (includes 2 height adjustable steel cords)
- Available in white (RAL9003) and black (RAL9005)

## 6. CONNECTIONS

The DROP6 connection is of the Euroblock type, to be connected directly to the wiring line coming from the power amplifier. The power selector located on the top of the loudspeaker allows you to select the mode and power of the unit by means of a switch:

- 75 WRMS @ 8Ω
- 60/30/15 and 7.5W @ 70/100V



**The DROP6 loudspeaker is delivered from the factory with the switch in the 60W position (70/100V). If accidentally connected to a low impedance amplifier (8Ω), it will not cause any damage to the loudspeaker, but it will under perform.**

**WARNING: If the loudspeaker is accidentally connected to a 70/100V mains grid in position 8Ω, the amplifier and loudspeaker will be seriously damaged.**

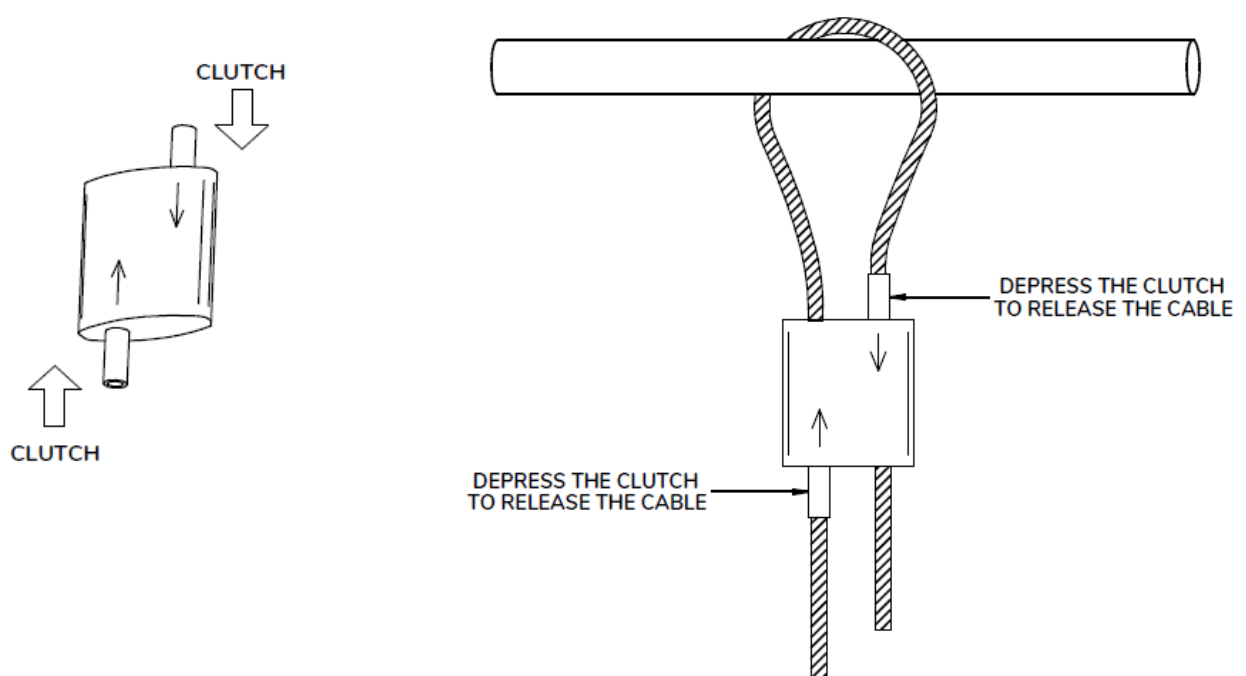
## 7. LOCATION AND MOUNTING

Each DROP6 unit contains 2 steel cords for suspension of the 5 metre unit, plus 2 Euroblock connections.

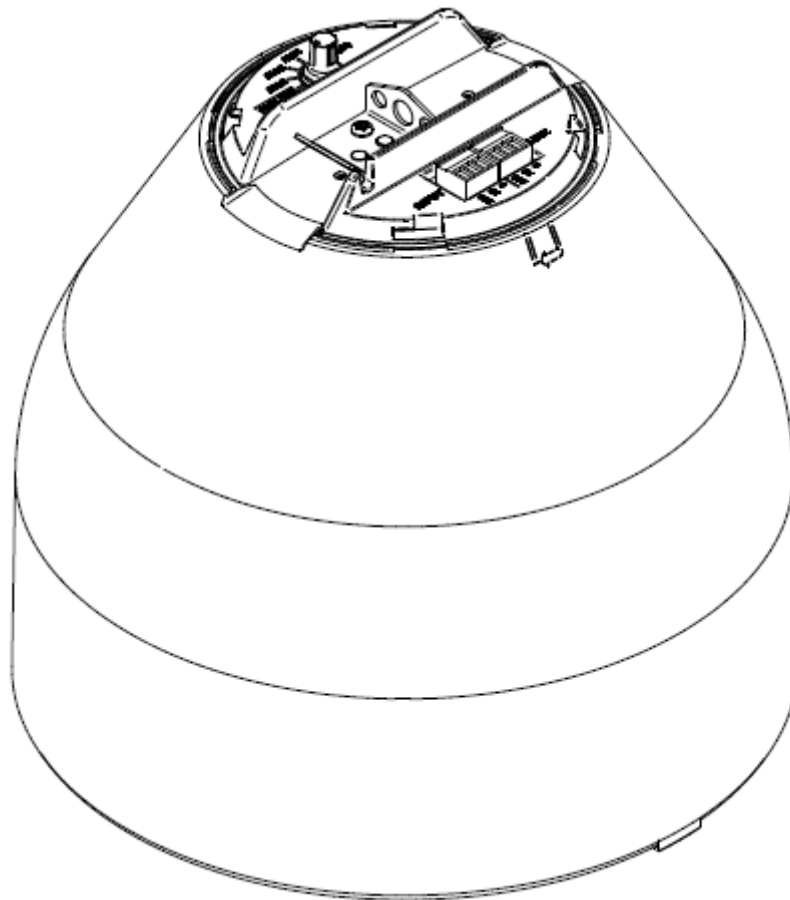
**WARNING:** Make sure that both the ceiling and the mounting system are sturdy enough to support the weight of the loudspeaker.

To install each unit, the following instructions must be followed:

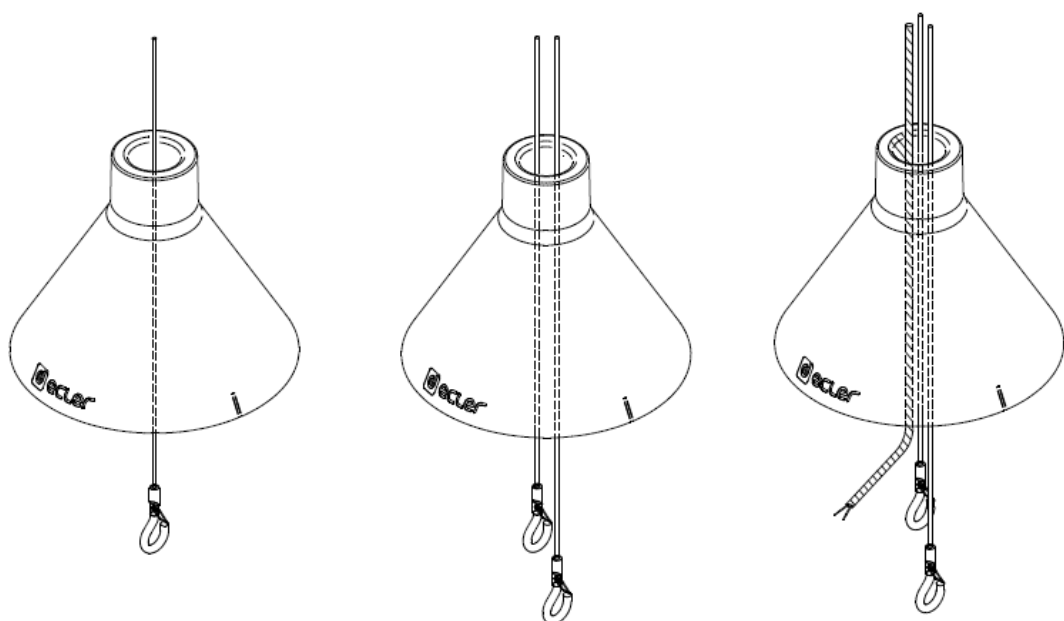
1. Insert the steel cords and fasten them to the bracket and to the desired height.



2. Remove the top of the speaker enclosure to expose the connection panel

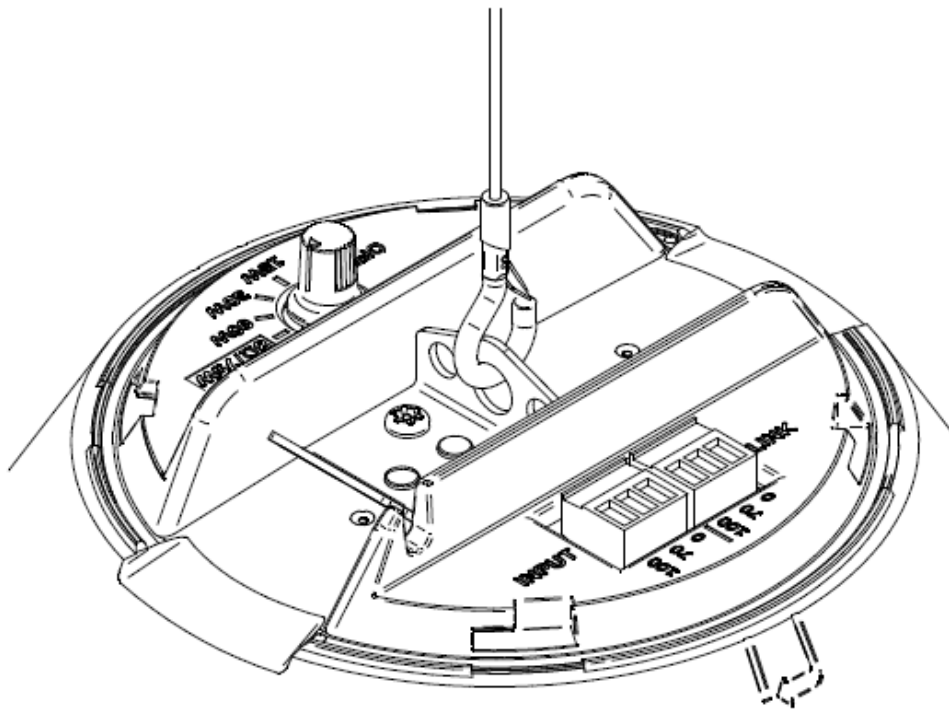


3. Feed the included steel cords and wiring line from the amplifier through the conical rear cover

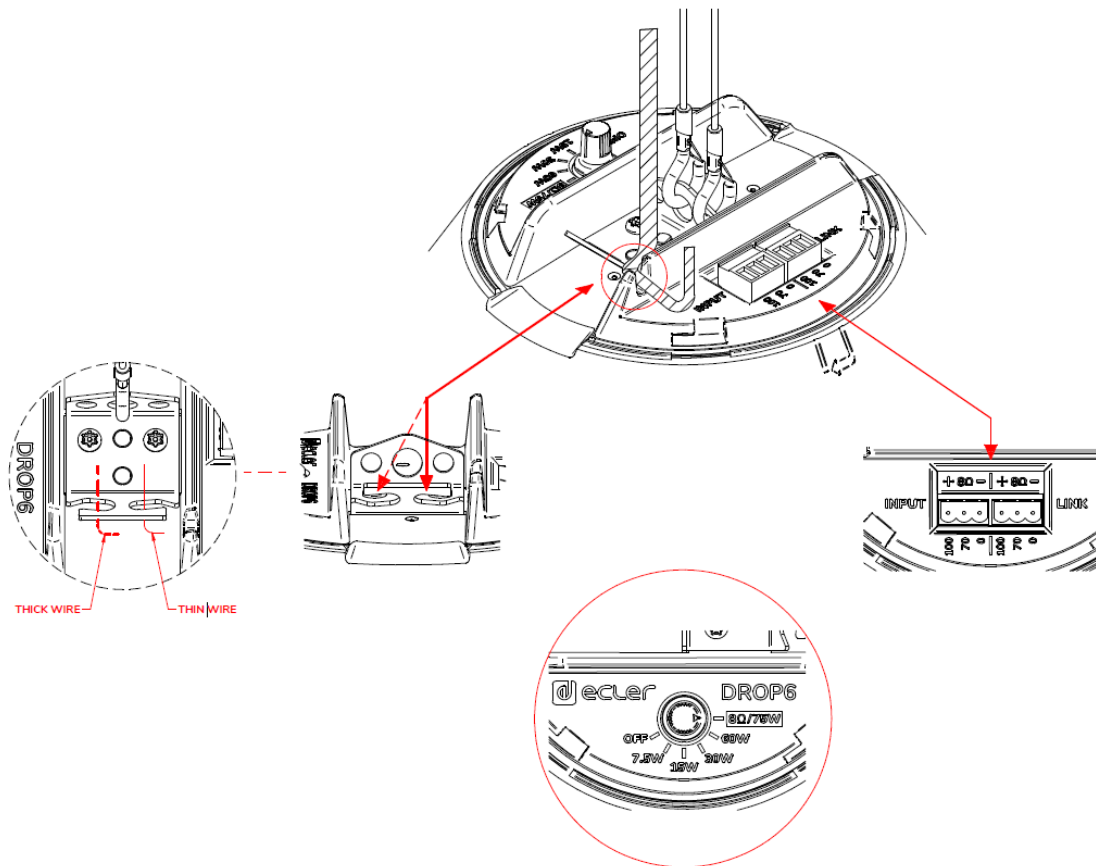




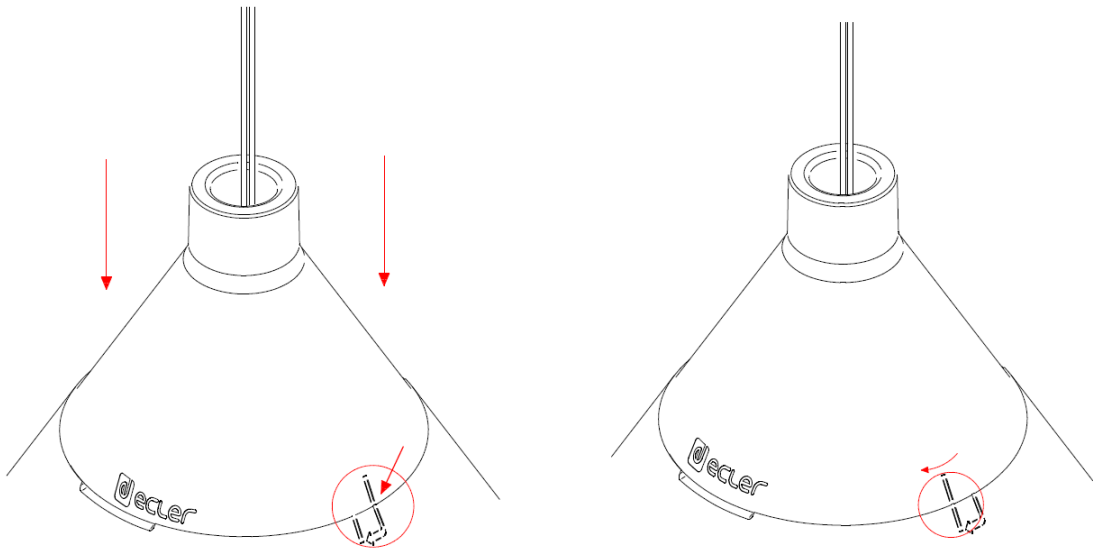
4. Hook the steel cable to the metal part of the speaker



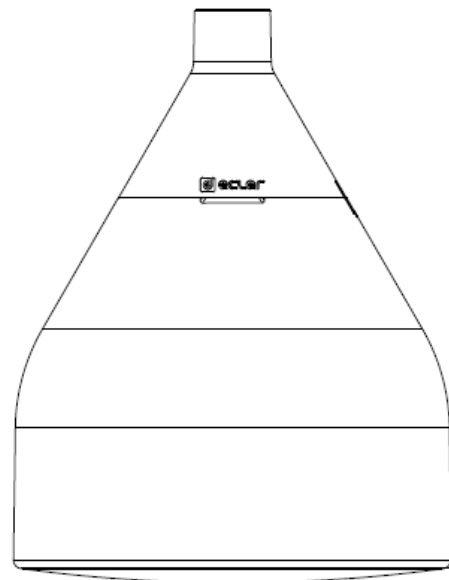
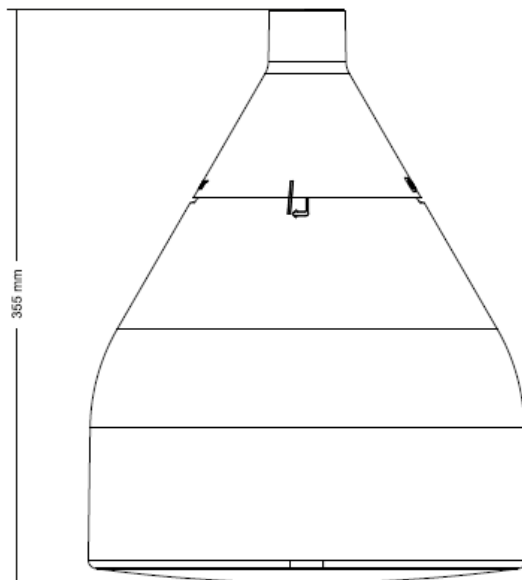
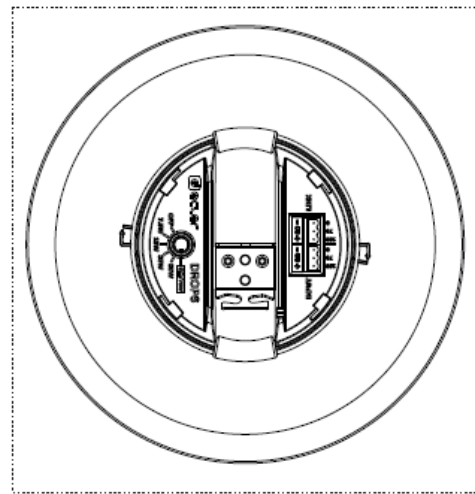
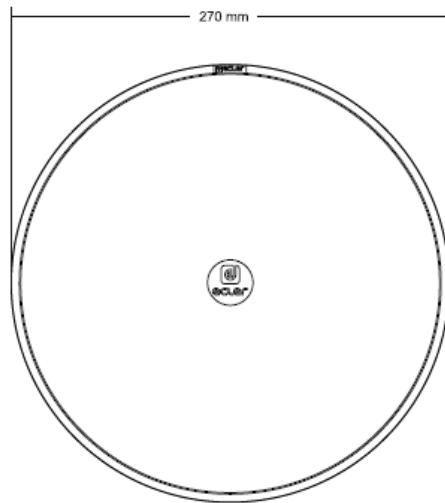
5. Hook the second steel cord in the same way and pass the line cable through the hole to reach the Euroblock connectors. Select the power you want the speaker to operate at.



6. Position the conical back cover and rotate it until the locking marks match up



## 8. MECANICAL DIAGRAM



## 9. TECHNICAL SPECIFICATIONS

### DROP6

System	
Effective frequency range <sup>1</sup>	45Hz -20KHz
Coverage angle <sup>2</sup>	112° Conical
Power handling	75W RMS / 300W Peak
Sensitivity <sup>3</sup>	87 dB (1W/1m)
Maximum SPL <sup>4</sup>	106dB continuous / 112dB peak
Power options	70/100V: 7.5W - 15W - 30W - 60W 8Ω: 75W
Recommended amplifier	150W RMS
Transducers	
Ways	2-way, full range
Low Frequency Driver	6.5" woofer
High Frequency Driver	1" silk dome tweeter
Nominal impedance	8Ω
Physical	
Connection type	Double INPUT/LINK connector, Euroblock type
Power type selector	Back panel tap rotary selector
Installation options	Pendant
Environmental	IP53 rated
Certifications	TBC
Enclosure material	ABS reinforced with fibreglass
Grille material	Aluminium
Grille fixing system	Bayonet mount system
Mounting system	Steel wire hanging
Flying points	2 x Steel wire hanging points
Operating temperature	Min: 0°C ; 32°F Max: 35°C ; 95°F
Operating humidity	<85% HR
Storage temperature	Min: -10°C ; 14°F Max: 50°C ; 122°F"
Storage humidity	<90% HR
Included accessories	2 x Steel Wire for hanging 5 mts, 2 x 3C Euroblock connector
Finished colour	White (RAL9003) or Black (RAL9005)
Dimensions	Ø270mm x 355mm(H) / Ø10.6 in. x 14 in. (H)
Weight	4.2 Kg / 9.26 lb
Pieces per box	1
Shipping dimensions	380 x 325 x 370mm / 14.9 x 12.8 x 15.5 in. (WxHxD)
Shipping weight	5.5 Kg / 12.12 lb

<sup>1</sup>10dB below the sound pressure level at specified sensitivity

<sup>2</sup>6dB below the sound pressure level than that at the direction of maximum level, Max. angle between 1 kHz and 4 kHz.

<sup>3</sup>Measured on-axis, far field and referenced to 1 meter by inverse square law. Average from 100 Hz to 10 kHz.

<sup>4</sup>Calculated from sensitivity and power handling specifications, exclusive of power compression

All product characteristics are subject to variation due to production tolerances. **NEEC AUDIO BARCELONA S.L.** reserves the right to make changes or improvements in the design or manufacturing that may affect these product specifications.

For technical queries contact your supplier, distributor or complete the contact form on our website, in [Support / Technical requests](#).

Motors, 166-168 08038 Barcelona - Spain - (+34) 932238403 | [information@ecler.com](mailto:information@ecler.com) | [www.ecler.com](http://www.ecler.com)