

USER MANUAL
MANUAL DE INSTRUCCIONES
NOTICE D'EMPLOI
BEDIENUNGSANLEITUNG

COMPACT 5

 **wecler**

INSTRUCTIONS MANUAL COMPACT 5 – UNIVERSAL MIXER

1. IMPORTANT REMARK	04
1.1. Safety Precautions	04
2. INTRODUCTION	04
3. INSTALLATION	05
3.1. Placement and mounting	05
3.2. Connectable Signal Sources	05
4. OPERATION AND USAGE	06
4.1. Start up	06
4.2. Monitoring	06
4.3. Channel gain and equalization	06
4.4. Channel indicators	07
4.5. Talkover	07
4.6. Outputs	07
5. CONSIDERATIONS	08
5.1. Ground loops, background noise	08
5.2. Cleaning	08
6. TECHNICAL CHARACTERISTICS	28
7. DIAGRAMS	29
7.1. Talkover control bus configuration diagram	29
7.2. Function list	30
7.3. Function diagram	32
7.4. Block diagram	33

All numbers subject to variation due to production tolerances. ECLER S.A. reserves the right to make changes or improvements in manufacturing or design which may affect specifications.

1. IMPORTANT REMARK

We thank you for trusting on us and choosing our COMPACT 5 mixer. In order to get the most in operation and efficiency from your mixing unit, it is VERY IMPORTANT for you - before you plug anything - to read this manual very carefully and take seriously into account all considerations specified within it.

In order to guarantee the optimum operation of this unit, we strongly recommend that its maintenance be carried out by our Authorised Technical Services.

1.1. Safety Precautions



This apparatus must be earthed through its mains cable.

Do not expose the unit to rain or water splashes, and do not place liquid containers or incandescent objects like candles on top of the unit. Do not obstruct the ventilation shafts with any kind of material.

Any change in the configuration of the unit must be carried out by a qualified technician. Should any connection / disconnection task be done, always disconnect the unit from the mains supply.

There are no user serviceable parts inside the unit.



CAUTION: RISK OF ELECTRIC SHOCK. DO NOT OPEN.

2. INTRODUCTION

The Compact 5 merges flexibility, simplicity and ECLERs renowned quality into an universal mixer which has been specially designed for non-technical users: The COMPACT 5. This simple and intuitive mixer is suited for a broad variety of installations, ranging from conference rooms or church sound systems to outdoor P.A., children entertainment, presentations or fashion shows to name a few.

Its reduced size and the specially designed chassis make it ideal both for rack mounting or as a table-top unit. Last but not least, the technological concept and the carefully selected electronic components make this mixer a 100% professional unit.

The COMPACT 5 incorporates 5 mixable channel, each with different input capabilities:

Channel 1	LINE A and LINE B	LINE B switchable to PHONO from rear panel
Channel 2	LINE A and LINE B	LINE B switchable to PHONO from rear panel
Channel 3	LINE / MICRO / AUXILIARY	AUXILIARY on front panel
Channel 4	LINE / MICRO	
Channel 5	LINE / MICRO	Additional MICRO input on front panel

All channels feature a lever switch input selector, independent gain control and 3 band tone controls.

All inputs are PFL capable in order to visually (through the VU meters) and acoustically (through headphones) monitor any signal connected to the inputs of the unit.

3. INSTALLATION

3.1. Placement and mounting

The first thing to take into account when looking for the placement of the COMPACT 5 is your comfort and an easy access to all the connections.

The COMPACT 5 has 19" (482.6 mm), 3U (132.5 mm) rack mounting ears that allow you to place it in a standard rack.

Because of the high gain of the PHONO and MIC inputs, the mixer must be placed as far as possible from noise sources (dimmers, engines, etc.) as well as from any mains cable. You should never, under any circumstance, remove the metallic cover of the mixer.

The COMPACT 5, being a low consumption unit, does not need any cooling; you should anyway avoid exposure to extreme temperatures and the operating environment must be as dry and dust free as possible.

The COMPACT 5 operates under voltages between 90 and 264 V at 47 to 63 Hz. This device features an over dimensioned power supply that adapts to the mains voltage in any country of the world with no need to make any adjustments.

In order to protect the mixer from eventual mains overloads, it has a time-lag 0,5 A (26) mains protection fuse. Should this fuse ever blow off, disconnect the mixer from mains and replace it with an identical one. NEVER REPLACE THE FUSE WITH ANOTHER ONE WITH A HIGHER VALUE.



ATTENTION: Changing the fuse must be performed by qualified technical personnel.

3.2. Connectable Signal Sources

- Turntables / Phono: They must be fitted with a magnetic cartridge with nominal output level between -60dBV and -20dBV (1 to 100 mV). The PHONO (36) inputs of the COMPACT 5 have a high headroom (margin before saturation) and it can handle higher output cartridges than what is usual. These inputs are supplied with a nominal input sensitivity of -40dBV (10mV).

- Microphones: The MIC inputs (20-33) are ready for a nominal input level of -50dBV (3.16 mV) and are equipped with COMBO connectors. The COMBO connector provides both a XLR plug and a ¼" Jack in the same receptacle. The connection of balanced signals is as follows:

		XLR-3	¼" Jack
Hot or direct signal	>	Pin 2	Tip
Cold or inverted signal	>	Pin 3	Ring
Ground	>	Pin 1	Sleeve

Low impedance (200 to 600Ω) monophonic microphones must be used. In case of working with an unbalanced connection, the ground pin and Pin 3 (or the ring) must be short-circuited.

The COMPACT 5 features a Phantom power supply for the connection of condenser microphones. A switch for general activation of the phantom power can be found on the front panel of the unit (14) and can be activated using a sharp-pointed object.

-LINE Inputs. The sensibility of the line inputs (18-34-36-37) is rated at 0dBV (1V). CD, DAT, MP3, DVD Audio Players, Tape recorders, cassettes, tuners or videos should be connected to LINE inputs.

Additional line level sources may be connected to the "AUX IN 3" input, which is located on the front panel and is electrically linked to channel 3.

- Headphones: In order to achieve the best performance, they should be high impedance type (200-600Ω). They must be connected to the headphones out (17) connector, a standard ¼" stereo jack. Connect ground to sleeve, ring to right and tip to left.

- Power amplifiers: See paragraph 4.6.

4. OPERATION AND USAGE

4.1. Start up

Power up the mixer by pushing the POWER (11) switch. The green pilot-light, integrated into the switch itself, will immediately light up. Although the noise generated by powering up the COMPACT 5 is reduced to a bare minimum and is nearly null with the OUTPUT (12 and 15) controls down, it is always advisable not to forget about this power-up sequence: sound sources, mixer, equalizers, active filters and power amplifiers. Power down the equipment by following the inverse sequence. This way the peaks or transients produced by powering up / down a device do not affect the following one in the audio chain and, as a result, they do not reach the loudspeakers, which are the most vulnerable audio elements in this case.

4.2. Monitoring

The COMPACT 5 is equipped with an acoustical and visual monitoring system, through headphones and VU METER. When switching ON any of the PFL buttons (23), signal(s) present at the input(s) will be heard through the headphones and seen on the VU METER. If no switch is at the ON position, the signal present at the main mix bus is monitored (open faders).

4.3. Channel gain and equalization

These controls allow individual input sensitivity and tone adjustments for each channel.

Thanks to the GAIN (2) control, you can precisely adjust the signal level of an incoming musical signal to match the level of the music that is playing on air through another channel. This operation may be performed visually (through the left VU-meter) and acoustically (through the headphones), successively comparing both signals with the PFL buttons. The Gain knobs offer an adjustment range of ± 20 dB.

The three band tone controls (1-3-25) affect bass, mid and treble frequencies and offer a ± 15 dB variation range. Please be careful when using the tone controls in order not to overload the loudspeakers.

4.4. Channel indicators

Each of the five input channels features two indicators. The green signal LED (4) shows the presence of signal on the currently selected input. The indicator lights up at a threshold of -40 dBV. The red peak LED (6) warns about the risk of saturation, that is exceeding the recommended signal input level limit. This LED may sporadically flash without risk of damaging the unit, but it should never stay lit continuously. This indicator lights up at a threshold of 10dBV

4.5. Talkover

This device automatically reduces the signal level of the main output. This happens at the first voice "hit" of the DJ or speaker on the microphone (or line) plugged to channel. When the DJ stops talking, the music level comes up to the initial level. This function is enabled through the TALKOVER (8) switch, and has efficiency, EFF (19), i.e. main signal level attenuation (between 0 and 30dB) and recovery time, TIME (9), the time necessary for a progressive come back to the original level (between 0,1 and 3 sec).



The Talkover can be activated by channel 4 if certain internal jumpers for the bus-assignment are re-soldered. See configuration diagram.

This modification must be performed by an Authorized Technical Service.

4.6. Outputs

The COMPACT5 mixer has two independent outputs, OUTPUT 1 (30-31) and OUTPUT 2 (29). Each one has its own volume control.

You must be careful when setting up the general output level of the mixer. The "clip" display of the connected power amplifiers must never remain permanently lit, but do it only occasionally by following the rhythm of the bass signals that are being played.

The OUT1 output (30-31) is balanced or symmetrical, and the pin-out of the connector is as follows:

Hot or direct signal	>	Pin 2
Cold or inverted signal	>	Pin 3
Ground	>	Pin 1

The balanced circuit simulates an output transformer, so if you wish to use OUT1 in non-balanced mode, you should short circuit the unused pin to ground. Otherwise, the signal will not have an appropriate level and quality.

The OUT2 output (29) is non-balanced or asymmetrical.

The COMPACT 5 has one recording output REC (32), which is pre-talkover, i.e. no signals which activate the talkover are passed to this output, so no attenuation occurs).

5. CONSIDERATIONS

5.1. Ground loops, background noise

You should always make sure that the signal sources coming to the unit, as well as all devices connected to its outputs, do not have their grounds interconnected, that is; ground must never come from two different devices. Should this ever happen, noises could occur and seriously interfere the sound quality.

Cable shielding, when connected to the chassis, must never be interconnected, so as to avoid ground loops.

The COMPACT 5 mixer has been designed for the lowest possible background noise. Independently from the electronic design itself, background noise level will directly depend on the right installation and use of the mixing unit.

I. e.: setting a channel VOL to "2" and the output to "10" is not the same as the other way round. In the first case, the signal coming to the mixing amplifier - which has got its own noise - is low, and so is the signal-to-noise ratio (low signal). When the output amplifier boosts the whole signal we will get a very high background noise. In the second case - with the channel fader at maximum - the mixing level is high, and so is the signal-to-noise ratio. When the signal reaches the VOL OUTPUT and is boosted, it will keep a much better signal-to-noise ratio than in the preceding case.

5.2. Cleaning

The front panel should not be cleaned with dissolvent or abrasive substances because silk-printing could be damaged. To clean it, use a soft cloth slightly wet with water and neutral liquid soap; dry it with a clean cloth. Be careful that water never gets into the amplifier through the holes of the front panel.

MANUAL DE INSTRUCCIONES COMPACT 5 – UNIVERSAL MIXER

1. NOTA IMPORTANTE	10
1.1. Precauciones	10
2. INTRODUCCIÓN	10
3. INSTALACIÓN	11
3.1. Ubicación y montaje	11
3.2. Fuentes de señal conectables	11
4. OPERACIÓN Y USO	12
4.1. Puesta en funcionamiento	12
4.2. Monitoraje	12
4.3. Ganancia y ecualización de vía	12
4.4. Indicadores de vía	13
4.5. Talkover	13
4.6. Salidas	13
5. CONSIDERACIONES	14
5.1. Bucles de masa, ruido de fondo	14
5.2. Limpieza	14
6. CARACTERÍSTICAS TÉCNICAS	28
7. DIAGRAMAS	29
7.1. Diagrama de configuración del bus de control de talkover	29
7.2. Lista de funciones	30
7.3. Diagrama de funciones	32
7.4. Diagrama de bloques	33

Todos los datos están sujetos a variación debida a tolerancias de producción. ECLER S.A. se reserva el derecho de realizar cambios o mejoras en la fabricación o diseño que pudieran afectar las especificaciones.

1. NOTA IMPORTANTE

Agradecemos su confianza por haber elegido nuestro mezclador COMPACT 5. Para conseguir la máxima operatividad y rendimiento de su mesa de mezclas es MUY IMPORTANTE antes de su conexión leer detenidamente y tener muy presentes las consideraciones que en este manual se especifican.

Para garantizar el óptimo funcionamiento de este aparato recomendamos que su mantenimiento sea llevado a cabo por nuestros Servicios Técnicos autorizados.

1.1. Precauciones



Este aparato debe ser conectado a tierra mediante su cable de alimentación.

No exponga el aparato a la caída de agua o salpicaduras, no ponga encima objetos con líquido ni fuentes de llama desnuda, como velas. No obstruya los orificios de ventilación con ningún tipo de material.

Cualquier cambio en la configuración debe ser realizado por personal técnico cualificado. En caso de requerir alguna intervención y/o conexión desconexión del aparato debe desconectarse previamente de la alimentación.

En el interior del aparato no existen elementos manipulables por el usuario.



ATENCIÓN: PELIGRO DE DESCARGA ELÉCTRICA. NO ABRIR.

2. INTRODUCCIÓN

En el COMPACT 5 ECLER ha unido versatilidad, simplicidad y su reconocida calidad en un mezclador universal especialmente adaptado para ser utilizado por personal no técnico. De fácil e intuitiva utilización este mezclador cubre un amplio abanico de instalaciones que pueden ir desde las salas de conferencia o iglesias, a sonorizaciones en exteriores, animación infantil, presentaciones o pases de modelos ... por citar algunos ejemplos.

Su reducido tamaño y chasis especialmente concebido tanto para el montaje en muebles rack normalizados como en sobremesa posibilitan su adaptación a los más diversos entornos. Finalmente su concepción tecnología y componentes empleados en su fabricación lo hacen 100% profesional.

El COMPACT 5 dispone de 5 vías mezclables cada una de ellas con diversas posibilidades de entrada:

Vía 1	LINE A y LINE B	LINE B conmutable a PHONO desde panel posterior
Vía 2	LINE A y LINE B	LINE B conmutable a PHONO desde panel posterior
Vía 3	LINE / MICRO / AUXILIAR	AUXILIAR en entrada frontal
Vía 4	LINE / MICRO	
Vía 5	LINE / MICRO	MICRO duplicado en panel frontal

Todos los canales disponen de un selector de entradas de palanca, control de ganancia independiente para cada una de las vías así como controles de tono de tres bandas.

Todas las entradas disponen de la función PFL para monitorizar visualmente mediante el Vu-Meter y acústicamente mediante auriculares cualquier señal conectada a las entradas de la mesa.

3. INSTALACIÓN

3.1. Ubicación y montaje

La principal consideración a tener en cuenta en el momento de buscar la ubicación del mezclador COMPACT 5 debe ser la máxima comodidad de trabajo del usuario, permitir una total facilidad en la realización de las conexiones que el mezclador va a ser punto de partida y llegada.

El COMPACT 5 equipa unos perfiles laterales que permiten, dado su tamaño standard de 19" (482.6mm) y 3 unidades rack de altura (132.5mm), montarlo en muebles normalizados.

Dada la elevada ganancia de las entradas de PHONO y de MICRO debe procurarse situar el mezclador lo más alejado posible de fuentes de ruido (variadores de tensión, motores, etc. ...) así como de cualquier cable de red. Por esta misma razón y bajo ninguna circunstancia debe quitarse la tapa metálica del aparato.

Ya que el consumo del COMPACT 5 es muy bajo, éste no precisa ventilación, sin embargo debe evitarse que esté expuesto a una temperatura extrema y procurar que la atmósfera del local en que esté emplazado sea lo más seca y limpia de polvo posible.

El COMPACT 5 funciona con tensión alterna de 90 a 264V y 47 a 63 Hz. Este aparato equipa una fuente de alimentación sobredimensionada capaz de adaptarse sin ningún tipo de ajuste a la tensión de red de cualquier país del mundo.

Para proteger a la mesa de mezclas de eventuales sobrecargas, el COMPACT 5 está protegido con un fusible de red (26) de 0.5A temporizado. En el caso de que éste se fundiera se sustituiría por otro de idénticas características. **EN NINGÚN CASO DEBE PONERSE UN FUSIBLE DE VALOR MÁS ELEVADO.**



PRECAUCIÓN: El cambio de fusibles debe ser realizado por personal técnico cualificado.

3.2. Fuentes de señal conectables

- Platos giradiscos: Deben ir equipados con cápsula magnética capaz de entregar un nivel de salida nominal entre -60 y -20dBV (1 y 100mV). Dado que las entradas de PHONO (36) del COMPACT 5 tienen una elevada capacidad de sobrecarga, puede admitir cápsulas de mayor nivel de salida. Estas entradas tienen una sensibilidad nominal de -40dBV(10mV).

- Micrófonos: Las entradas de Micro (20-33) están preparadas para un nivel nominal de entrada de -50dBV (3.16mV). Los conectores de micrófono son del tipo "COMBO". El conector COMBO combina en un mismo conector la conexión tipo XLR-3 y la conexión tipo jack ¼". Estas entradas admiten la conexión en modo balanceado. Para ello se realizará la conexión como se indica:

	XLR 3	Jack ¼ "
Vivo o señal directa	Terminal 2	Punta
Frío o señal invertida	Terminal 3	Aro central
Masa	Terminal 1	Base

Los micrófonos deben ser de baja impedancia (de 200 a 600Ω) y monofónicos. Para conexiones NO balanceadas cortocircuitar a masa el terminal 3 o el aro central.

El COMPACT 5 dispone de alimentación phantom para micrófonos de condensador. El conmutador de activación general de la alimentación phantom se encuentra ubicado en el panel frontal del aparato (14) y puede accionarse con un objeto puntiagudo.

- Entradas LINE. La sensibilidad de las entradas LINE (18-34-36-37) es 0dBV (1V) y se conectarán los reproductores CD, DAT, MP3, DVD Audio, Magnetófonos, cassettes, sintonizadores, videos...

La entrada "AUX IN 3" (18) asociada a la vía 3 y ubicada en el panel de mandos admite las mismas fuentes de señal que las entradas marcadas como "LINE".

- Auriculares: Para obtener el mejor rendimiento en su funcionamiento, éstos deberán ser de alta impedancia (200-600Ω). Se conectarán a la salida (17) situada en su propia placa de mandos mediante un conector jack normalizado de 1/4" estereofónico. El casquillo del jack será la masa, el anillo central el canal derecho y la punta el canal izquierdo.

- Amplificadores de potencia: Ver apartado 4.6.

4. OPERACIÓN Y USO

4.1. Puesta en funcionamiento

Esta se realizará mediante el interruptor de red POWER (11) e inmediatamente se iluminará el piloto verde integrado en el propio interruptor. Aunque el ruido producido por la puesta en funcionamiento del COMPACT 5 es mínimo y queda prácticamente anulado al hacerlo con los controles de OUTPUT (12 y 15) cerrados, siempre resulta muy recomendable poner en marcha todos los aparatos siguiendo la secuencia siguiente: Fuentes de sonido, unidad de mezclas, ecualizadores, filtros activos y finalmente amplificadores de potencia. El paro de los aparatos debe realizarse en la secuencia inversa. Siguiendo este orden los picos o transitorios producidos por el encendido o apagado de los aparatos no afecta a los siguientes, y por consiguiente tampoco llegan a los altavoces, elementos extremadamente susceptibles de averiarse en estos casos.

4.2. Monitoraje

El COMPACT 5 está dotado con un sistema de monitorización auditiva y visual a través de auriculares y VU METER. Accionando cualquiera de los interruptores PFL (23), oiremos por los auriculares y veremos por el VU METER la señal presente en la-s vía-s de entrada. Cuando no hay ningún interruptor accionado se monitoriza la señal presente en el bus de mezclas (faders abiertos).

4.3. Ganancia y ecualización de vía

Estos controles permiten ajustar individualmente para cada una de las vías los niveles de sensibilidad de entrada y tonos.

Mediante el control de GAIN (2), ajuste fino de la ganancia de entrada, equiparemos el nivel de señal a mezclar con la que esté sonando ya en directo a través de otra vía. Esta operación puede realizarse visualmente mediante el VU METER y auditivamente mediante los auriculares, realizando sucesivas comparaciones entre ambas señales a través de los interruptores de PFL. Los controles GAIN proporcionan un margen de ajuste de ± 20 dB.

Los controles de tono (1-3-25) son de 3 bandas, graves medios y agudos, proporcionan un margen de actuación de $\pm 15\text{dB}$. Sea precavido en su utilización para no sobrecargar los altavoces.

4.4. Indicadores de vía

Cada una de las 5 vías de entrada dispone de dos indicadores. El indicador SIGNAL (4) de color verde nos advierte de la presencia de señal en la entrada asignada mediante el selector de entrada activa. El nivel de señal a partir del cual se ilumina es -40dBV .

El indicador PEAK (6) de color rojo nos advierte del riesgo de saturar, excederse en el nivel de señal recomendable. Este indicador puede iluminarse de forma esporádica sin riesgo alguno para el equipo pero nunca debe hacerlo de forma continuada. El nivel de señal a partir del cual se ilumina es 10dBV .

4.5. Talkover

Este dispositivo reduce de forma automática el nivel de señal a partir del primer golpe de voz sobre el micrófono (o línea) conectado a la vía 5. Cuando se deja de hablar se recuperará de forma paulatina el volumen primitivo. El talkover se activa mediante el interruptor TALKOVER (8) existiendo la posibilidad de controlar su eficiencia, EFF (19), nivel de atenuación de la señal principal (entre 0 y 30dB) y el tiempo de recuperación, TIME (9), tiempo necesario para que de una forma progresiva regrese al nivel original (entre 0,1 y 3 seg.).

Existe la posibilidad de que el talkover se active desde la vía 4 modificando los puentes internos, realizados mediante soldaduras, de asignación al bus. Ver el diagrama de configuración.



Esta operación debe ser realizada por un Servicio Técnico Oficial

4.6. Salidas

La mesa COMPACT 5 dispone de dos salidas OUTPUT 1 (30-31) y OUTPUT 2 (29) independientes. Cada una dispone de su propio control de volumen.

Debe tenerse precaución al manipular el nivel general de salida de la mesa de mezclas de que nunca queden permanentemente encendidos los indicadores de "clip", recorte, de las etapas de potencia conectadas, sino que lo hagan como máximo al ritmo de las frecuencias más graves que les llegan.

La salida OUT1 (30-31) es del tipo balanceado o simétrico siendo la distribución de su patillaje la siguiente

Vivo o señal directa	>	Terminal 2
Frío o señal invertida	>	Terminal 3
Masa	>	Terminal 1

El circuito balanceador simula un transformador, por lo cual de querer usar la salida OUT1 en modo no balanceado debe cortocircuitarse a masa la patilla de salida no utilizada. De no hacerlo así la señal de salida no tendrá el nivel ni la calidad adecuada.

La salida OUT2 (29) es del tipo NO BALANCEADO O ASIMÉTRICO.

El COMPACT 5 posee una salida de grabación REC (32) antes del talkover (no hay señal de las vías que activan el talkover y por lo tanto no existen atenuaciones)

5. CONSIDERACIONES

5.1. Bucles de masa, ruido de fondo

Debe procurarse en todo momento que las fuentes de señal que lleguen a la mesa de mezclas, así como todos los aparatos que estén conectados a su salida, no tengan las masas interconectadas, es decir que nunca les lleguen las masas por dos o más caminos distintos, ya que de esta manera se podrían producir zumbidos que llegarían incluso a interferir la calidad de la reproducción sonora.

Los blindajes de los cables, de estar conectados a chasis, en ningún momento deben estar unidos entre sí. De esta forma evitaremos la formación de bucles de masa.

El mezclador COMPACT 5 ha sido concebido para obtener el menor ruido de fondo posible. Independientemente de la concepción electrónica el ruido de fondo dependerá directamente de la correcta utilización e instalación de la unidad de mezcla.

No es lo mismo, por ejemplo, tener el FADER de una vía a "2" y el VOL de la salida OUT a "10" que a la inversa. En el primer caso la señal que llega al amplificador de mezcla, que intrínsecamente tiene un nivel de ruido de fondo propio, es débil, por lo que la relación señal / ruido es baja (poca señal). Cuando el amplificador de salida eleve indistintamente todo el conjunto tendremos a la salida un nivel de ruido de fondo muy elevado. En el segundo caso, al estar el FADER de la vía al máximo, la señal que recibe el amplificador de mezcla es grande y por tanto con una relación señal / ruido grande también, así cuando esta señal llegue al VOL de salida y sea amplificada, guardará mejor relación que en el caso anterior.

5.2. Limpieza

La carátula no deberá limpiarse con sustancias disolventes o abrasivas puesto que se corre el riesgo de deteriorar la serigrafía. Para su limpieza se utilizará un trapo humedecido con agua y un detergente líquido neutro, secándola a continuación con un paño limpio. En ningún caso se debe permitir la entrada de agua por cualquiera de los orificios del aparato.

NOTICE D'EMPLOI COMPACT 5 – UNIVERSAL MIXER

1. NOTE IMPORTANTE	16
1.1. Précautions	16
2. INTRODUCTION	16
3. INSTALLATION	17
3.1. Emplacement et montage	17
3.2. Sources de signal	17
4. FONCTIONNEMENT ET UTILISATION	18
4.1. Mise en service	18
4.2. Pré-écoute	19
4.3. Gain et égalisation des voies	19
4.4. Voyants d'indication de voie	19
4.5. Talkover	19
4.6. Sorties	20
5. DIVERS	20
5.1. Boucles de masse, bruit de fond	20
5.2. Entretien	21
6. CARACTÉRISTIQUES TECHNIQUES	28
7. SCHÉMAS	29
7.1. Schéma de configuration du bus de commande de la fonction Talkover	29
7.2. Liste de fonctions	31
7.3. Diagramme de fonctions	32
7.4. Diagramme des blocs	33

ECLER se réserve le droit d'apporter des modifications de toute sorte sur ses produits qui peuvent altérer leurs spécifications.

1. NOTE IMPORTANTE

Nous vous remercions de la confiance que vous nous portez en choisissant notre mélangeur COMPACT 5. Pour obtenir le meilleur résultat de cet appareil, il est très important de lire attentivement les instructions ci-dessous avant de le brancher.

Pour obtenir le meilleur rendement de cet appareil, il est important que le entretien se réalisé par notre Service Technique Ecler.

1.1. Précautions



Cet appareil doit être impérativement relié à la terre via son câble d'alimentation.

Eviter tout contact avec l'eau. L'appareil doit être installé à l'écart de tout objet contenant un liquide ou de toute flamme nue, comme une bougie par exemple. Les orifices de ventilation doivent être dégagés en toute circonstance.

Seul un personnel technique qualifié est habilité à effectuer un changement de configuration.

Avant toute intervention et/ou de connexion/déconnexion, le cordon d'alimentation de l'appareil doit être préalablement débranché.

Il n'existe aucun élément destiné à l'utilisateur à l'intérieur de l'appareil.



ATTENTION: RISQUE DE CHOC ÉLECTRIQUE. NE PAS OUVRIR.

2. INTRODUCTION

Adaptabilité, simplicité et qualité reconnue sont les atouts réunis par la console de mixage universelle COMPACT 5 de ECLER. Cette dernière s'adresse tout particulièrement aux utilisateurs ne possédant aucune connaissance technique dans ce domaine. D'utilisation simple et intuitive, cette console s'adapte à de multiples configurations allant de la salle de conférence ou de l'église à des installations sonorisées extérieures, des attractions destinées aux enfants, des présentations ou des défilés de mode ... pour ne citer que quelques exemples.

Sa taille réduite et son châssis spécialement conçu pour une installation aussi bien en rack normalisé que sur une surface plane (bureau par exemple) lui permettent de s'adapter aux environnements les plus divers. Enfin, sa technologie ainsi que ses différents composants font de cette console un équipement 100 % professionnel.

La console COMPACT 5 dispose de 5 voies mixables, chacune d'entre elles bénéficiant de diverses options d'entrées :

Voie 1	LINE A et LINE B	LINE B commutable sur PHONO depuis le panneau arrière de la console
Voie 2	LINE A et LINE B	LINE B commutable sur PHONO depuis le panneau arrière de la console
Voie 3	LINE / MICRO / AUXILIAIRE	AUXILIAIRE (entrée en face avant de la console)
Voie 4	LINE / MICRO	
Voie 5	LINE / MICRO	MICRO dupliqué en face avant de la console

Tous les canaux disposent d'un sélecteur d'entrées commutable, d'un contrôle de gain indépendant pour chacune des voies ainsi que de commandes de tonalité tri-bandes.

Toutes les entrées disposent de la fonction PFL, qui permet une supervision visuelle (par Vu-Mètre) et acoustique (par casque) de tout signal connecté aux entrées de la console.

3. INSTALLATION

3.1. Emplacement et montage

Le principal critère dont il faut tenir compte au moment de choisir l'emplacement de la console de mixage COMPACT 5 doit être le confort optimal de travail de l'opérateur, ainsi que la facilité de réalisation des connexions dont la console est le point de départ et d'arrivée.

La console COMPACT 5 est équipée de profilés latéraux qui permettent, étant donné sa taille standard de 19" (482,6 mm) et ses 3 unités rack de hauteur (132,5 mm), de l'encastrier au sein de structures normalisées.

Étant donné le gain élevé des entrées PHONO et MICRO, la console doit être installée le plus loin possible des sources de bruit (variateurs de tension, moteurs, etc.) et de tout câble secteur. Pour cette raison et en aucune circonstance, le capot métallique de l'appareil ne doit être retiré.

La consommation de la console COMPACT 5 étant très faible, aucune ventilation n'est nécessaire. Il faut cependant éviter de l'exposer à des températures extrêmes et veiller à ce que l'atmosphère du local où elle est installée soit la plus sèche et la plus exempte de poussière possible.

La console COMPACT 5 fonctionne sur courant alternatif de 90 à 264 V (47 à 63 Hz). Tous les modèles sont équipés d'une source d'alimentation capable de s'adapter sans aucun réglage spécifique à la tension secteur en vigueur dans le pays concerné.

Pour protéger la console de mixage contre d'éventuelles surcharges, cette dernière est protégée par un fusible secteur (26) de 0,5A retardé. En cas de fonte de celui-ci, le remplacer par un autre de caractéristiques identiques. **IL NE FAUT EN AUCUN CAS UTILISER UN FUSIBLE DE VALEUR SUPÉRIEURE.**



ATTENTION : Le changement des fusibles doit être effectué par un personnel technique qualifié.

3.2. Sources de signal

- Platine tourne-disques : celles-ci doivent être équipées d'un dispositif magnétique capable de délivrer un niveau de sortie nominale compris entre -60 et -20dBV (1 - 100mV). Étant donné que les entrées PHONO (36) de la console COMPACT 5 ont une capacité de surcharge importante, des boîtiers ayant un niveau de sortie supérieur peuvent être admis. Ces entrées ont une sensibilité nominale de -40dBV (10mV).

- Microphones : les entrées Micro (20-33) acceptent un niveau nominal d'entrée de -50dBV (3,16mV). Les connecteurs du microphone sont du type "COMBO" (mi-XLR-3 / mi-jack 6,35 mm). Ces entrées permettent de réaliser des connexions symétriques. Pour cela, respecter les indications suivantes :

	XLR 3	Jack 6,35 mm
Point chaud ou signal direct	Borne 2	Pointe
Point froid ou signal inversé	Borne 3	Bague centrale
Masse	Borne 1	Base

Les microphones doivent être de basse impédance (200 à 600 Ω) et mono. Pour les connexions NON symétriques, court-circuiter la broche 3 ou la bague centrale à la masse.

La console COMPACT 5 dispose d'une alimentation fantôme pour micros équipés de condensateur. Le commutateur d'activation générale de cette alimentation se situe sur la face avant de l'appareil (14) et peut être enclenché à l'aide d'un objet pointu.

- Entrées LINE (LIGNE). La sensibilité des entrées LINE (18-34-36-37) est de 0 dBV (1V). Il est possible d'y raccorder des équipements de type lecteurs CD, DAT, MP3, DVD audio, magnétophones, cassettes, syntoniseurs, vidéos...

L'entrée "AUX IN 3" (18) associée à la voie 3 et localisée sur la face avant de l'appareil, admet les mêmes sources (signal) que les entrées repérées "LINE".

- Casque : Pour obtenir le meilleur rendement possible, celui-ci doit être de haute impédance (200-600 Ω). Il se raccorde à la sortie (17) située sur la façade par un connecteur jack standard 6,35 mm stéréo. La bague du jack sert de masse, l'anneau central de canal droit et la pointe de canal gauche.

- Amplificateurs de puissance : se reporter au paragraphe 4.6.

4. FONCTIONNEMENT ET UTILISATION

4.1. Mise en service

Cette mise en service s'effectue à l'aide de l'interrupteur secteur POWER (11). Le voyant vert intégré à l'interrupteur s'allume immédiatement. Bien que le bruit produit par la mise en marche de la COMPACT 5 soit minime et pratiquement inexistant si l'opération est exécutée avec les commandes OUTPUT (12 et 15) inhibées, il est vivement conseillé de mettre en marche tous les appareils en respectant la séquence suivante : sources sonores, unité de mixage, égaliseurs, filtres actifs et enfin amplificateurs de puissance. L'arrêt des appareils doit s'effectuer selon la séquence inverse. En suivant cet ordre, les crêtes ou les surtensions transitoires produites par la mise sous/hors tension des appareils n'affectent pas ces derniers, et par conséquent n'atteignent pas les haut-parleurs, éléments extrêmement susceptibles d'être endommagés dans de telles circonstances.

4.2. Pré-écoute

La console COMPACT 5 est équipée d'un système de contrôle acoustique et visuel. Cette supervision s'effectue via un casque et un VU-METRE. En actionnant l'un des interrupteurs PFL (23), on entend via le casque et l'on visualise sur le VU-METRE le signal présent sur la (les) voie(s) d'entrée. Si aucun interrupteur n'est actionné, le signal présent sur le bus de mixage (faders ouverts) est supervisé. Lorsqu' aucun interrupteur n'est actionné, le signal observé est alors celui présent sur le bus de mixage (faders ouverts).

4.3. Gain et égalisation des voies

Ces commandes permettent de régler les sensibilités d'entrée et les tonalités individuellement pour chacune des voies.

Grâce au réglage fin du gain d'entrée (GAIN (2)), il est possible de comparer le niveau du signal à mixer avec celui en cours d'écoute sur une autre voie. Cette opération peut se faire via le VU-METRE ou bien via le casque, en comparant successivement les deux signaux au moyen des commandes PFL. La plage de réglage du GAIN est de $\pm 20\text{dB}$.

Les commandes de tonalité (1-3-25) sont de type tri-bandes (graves médium et aigus). Elles offrent une plage de réglage de $\pm 15\text{dB}$. Lors de leur utilisation, veiller à ne pas surcharger les haut-parleurs.

4.4. Voyants d'indication de voie

Chacune des 5 voies d'entrée dispose de deux voyants. Le voyant vert SIGNAL (4) avertit de la présence d'un signal sur l'entrée assignée via le sélecteur. Ce voyant s'allume lorsque le niveau du signal détecté atteint -40dBV .

Le voyant rouge PEAK (6) indique un risque de saturation, c'est-à-dire de dépassement du niveau recommandé pour le signal. Ce voyant peut s'allumer de manière sporadique sans que cela présente le moindre risque, mais il ne doit en aucun cas s'allumer de façon continue. Enfin, ce voyant s'allume lorsque le niveau du signal détecté atteint 10dBV .

4.5. Talkover

Ce dispositif permet de réduire automatiquement le niveau du signal dès que le DJ ou le locuteur se met à parler dans le micro (ou ligne) connecté à la voie 5. Dès lors que le locuteur s'arrête de parler, le niveau sonore revient progressivement à son état initial. La commande de Talkover fonctionne dès que l'interrupteur TALKOVER correspondant (8) est activé. Il est possible de contrôler son efficacité EFF (19), son niveau d'atténuation du signal principal (entre 0 et 30dB) et le temps de récupération TIME (9), temps nécessaire pour que progressivement il revienne au niveau initial (entre 0,1 et 3 secondes).

Il est possible d'activer la fonction Talkover à partir de la voie 4. Il est pour cela nécessaire de modifier les ponts (straps) internes (réalisés par soudure) d'assignation au bus. Pour plus de précision, se reporter au schéma de configuration.

Cette opération doit être réalisée par un service technique officiel.



4.6. Sorties

La console COMPACT 5 dispose de deux sorties OUTPUT 1 (30-31) et OUTPUT 2 (29) indépendantes. Chacune possède sa propre commande du volume.

Il faut veiller, lorsque l'on manipule le niveau général de sortie de la table de mixage, à ce que les indicateurs de "clip", coupure, des amplificateurs de puissance raccordés ne soient jamais allumés en permanence ou, si tel doit être le cas, s'assurer qu'ils le sont en suivant l'amplitude des graves.

La sortie OUT1 (30-31) est de type symétrique et son brochage est le suivant :

Point chaud ou signal direct	>	Broche 2
Point froid ou signal inversé	>	Broche 3
Masse	>	Broche 1

Le circuit symétrique simule un transformateur. Si l'on désire se servir de la sortie OUT1 en mode asymétrique, il est alors nécessaire de relier à la masse la sortie inutilisée. Si l'on ne procède pas ainsi, le signal de sortie n'aura ni le niveau ni la qualité adéquats.

La sortie OUT2 (29) est de type ASYMÉTRIQUE.

La console COMPACT 5 est équipée d'une sortie d'enregistrement REC (32), placée avant le Talkover (aucun signal présent sur les voies capables d'activer la fonction de Talkover - il n'y a donc pas d'atténuation).

5. DIVERS

5.1. Boucles de masse, bruit de fond

S'assurer que toutes les sources de signal qui arrivent à la table de mixage ainsi que tous les appareils qui sont raccordés à sa sortie, n'ont pas les masses interconnectées, c'est à dire que la masse n'arrive pas par deux ou trois voies différentes; en effet, ceci peut provoquer des bruits qui altèrent le signal sonore.

S'assurer aussi que les blindages des câbles soient connectés au châssis sans jamais être reliés entre eux afin d'éviter la formation de boucles de masse.

Le COMPACT 5 a été conçu pour obtenir le meilleur bruit de fond possible indépendamment de la conception électronique, avec laquelle a été réalisée le mixeur, le niveau de bruit dépend directement d'une utilisation correcte.

Ce n'est pas la même chose, par exemple, de mettre le Fader d'une voie à 2 et le Master à 10 que de mettre le Fader à 10 et le Master à 2.

1er cas: Fader à 2 et Master à 10.

Le signal qui arrive à l'amplificateur de mélange, qui par principe a un bruit de fond propre, est faible, donc le rapport signal/bruit est bas (peu de signal). L'amplificateur de mélange amplifiant sans distinction l'ensemble, on aura à la sortie un niveau de bruit de fond très élevé.

2ème cas: Fader à 10 et Master à 2.

Le Fader étant au maximum, le signal que reçoit l'amplificateur de sortie est élevé et le rapport signal/bruit sera automatiquement bien meilleur que dans le cas précédent.

5.2. Entretien

Il est interdit d'utiliser des substances dissolvantes ou abrasives pour nettoyer la face avant, celles-ci détériorant la sérigraphie. Nettoyer uniquement avec un chiffon humide. Attention! Jamais de l'eau ou tout autre liquide ne doit pénétrer par les orifices du panneau de commande.

BEDIENUNGSANLEITUNG COMPACT 5 – UNIVERSAL MIXER

1. WICHTIGE VORBEMERKUNG	23
1.1 Sicherheitsmaßnahmen	23
2. EINFÜHRUNG	23
3. INSTALLATION	24
3.1. Aufstellungsort und Montage:	24
3.2. Anschließbare Signalquellen	24
4. INBETRIEBNAHME	25
4.1. Einschalten	25
4.2. Vorhören	25
4.3. Eingangsempfindlichkeit und Klangregelung	26
4.4. Kanalanzeigen	26
4.5. Talkover	26
4.6. Ausgänge	26
5. WEITERE ERLÄUTERUNGEN	27
5.1. Erdungsschleifen, Hintergrundrauschen	27
5.2. Reinigung	27
6. TECHNISCHE DATEN	28
7. DIAGRAMME	29
7.1. Konfigurationsdiagramm für die Zuordnung der Talkover-Funktion	29
7.2. Funktionsliste	31
7.3. Funktionsübersicht	32
7.4. Blockschaltbild	33

Alle Angaben sind ohne Gewähr. Messwerte können produktionsbedingten Schwankungen unterliegen. ECLER S.A. nimmt sich das Recht heraus Veränderungen am Gerät vorzunehmen, die zur Verbesserung des Produktes beitragen.

1. WICHTIGE VORBEMERKUNG

Wir bedanken uns für Ihr Vertrauen, unseren COMPACT 5 Mixer zu wählen. Bitte lesen Sie alle Erläuterungen in dieser Bedienungsanleitung sorgfältig durch, BEVOR Sie dieses Gerät anschließen.

Eventuelle Reparaturen sollten nur von unserer technischen Service Abteilung durchgeführt werden, um einen optimalen Betrieb sicherzustellen.

1.1. Sicherheitsmaßnahmen



Dieser Apparat muß mittels seines Netzkabels geerdet werden.

Es darf kein Regen oder andere Flüssigkeiten in das Gerät gelangen. Stellen Sie niemals Flüssigkeitbehälter oder flammende Gegenstände wie z.B. Kerzen auf die Geräteroberfläche. Bedecken Sie in keinem Fall die Lüftungsschächte oder verhindern Sie die Frischluftzufuhr.

Überlassen Sie jede Änderung in der Konfiguration des Geräts stets qualifiziertem Fachpersonal.

Bevor Sie den COMPACT 5 an andere Geräte anschließen, ziehen Sie immer den Netzstecker.

Im Inneren der Endstufe befinden sich keine für den Benutzer gedachte Bedienelemente.



VORSICHT: GEFAHR EINES ELEKTRISCHEN SCHLAGES. NICHT ÖFFNEN!

2. EINFÜHRUNG

Ecler hat eine vielseitige Verwendbarkeit, einfache Bedienung und seine bewährte Konstruktionsqualität in den COMPACT 5, einen spezifisch für den nicht technisch orientierten Benutzer entworfenen Mixer gesteckt. Dieser besonders benutzerfreundliche Mixer ist für ein breites Spektrum an Audioinstallationen geeignet, von Konferenzräumen und Kirchen bis zu Lautsprecheranlagen im Freiem, Präsentationen, Mode-shows oder Kinderunterhaltung, um nur einige Beispiele zu nennen. Der COMPACT 5 passt sich, dank seiner reduzierten und standardisierten Maße, an jede Umgebung an, sowohl im Rack als auch als Tischeinheit.

Dank der Zusammensetzung der technischen Konzeption des COMPACT 5 und der verwendeten erstklassigen elektronischen Komponenten haben Sie jetzt ein vollkommen professionelles Gerät in Ihren Händen.

Der Compact 5 besitzt 5 mischbare Kanäle, wobei jeder verschiedene Eingangsmöglichkeiten darbietet:

Kanal 1	LINE A und LINE B	LINE B auf PHONO schaltbar (Schalter auf Frontplatte)
Kanal 2	LINE A und LINE B	LINE B auf PHONO schaltbar (Schalter auf Frontplatte)
Kanal 3	LINE/MICRO/AUXILIARY	AUXILIARY Hilfseingang auf Frontplatte
Kanal 4	LINE/MICRO	
Kanal 5	LINE/MICRO	Zusätzlicher MICRO Eingang auf Frontplatte

Alle Kanäle besitzen einen Eingangswahlschalter, individuelle Empfindlichkeitsregler und eine dreistufige Klangregelung.

Alle Eingänge verfügen über eine PFL Funktion, um jedes Eingangssignal direkt auf dem VU-Meter anzuzeigen und akustisch über Kopfhörer zu kontrollieren.

3. INSTALLATION

3.1. Aufstellungsort und Montage

Zwei Überlegungen sind bei der Wahl des Aufstellungsortes von besonderer Wichtigkeit: Erstens der Komfort der Person, die den Mixer bedient und zweitens der einfache Zugriff an alle Kabelverbindungen vom oder zum Mixer.

Der COMPACT 5 besitzt 3 HE (132.5 mm) Rackrohren zum Einbau in ein Standard 19" (482,6 mm) Rack-Gehäuse.

Aufgrund der hohen Empfindlichkeit der Mikrofon- und Phonoeingänge sollte darauf geachtet werden, dass der Mixer nicht in der Nähe von elektrischen Störquellen aufgestellt wird (z.B. Motoren, Netzgeräten oder Leitungen usw.). Entfernen Sie außerdem niemals die Metall-Abdeckplatte dieses Gerätes.

Da der COMPACT 5 einen sehr niedrigen Stromverbrauch aufweist, benötigt er keine Kühlung. Trotzdem darf er weder hohen Temperaturen noch Staub oder Feuchtigkeit ausgesetzt werden.

Der COMPACT 5 kann mit Wechselstrom zwischen 90 und 264V, 47 bis 63Hz betrieben werden. Dieses Gerät benutzt ein überdimensioniertes Netzteil. Damit passt es sich ohne irgendwelche Einstellungen an alle Weltweit auffindbaren Netzspannungen an.

Zum Schutz des Mixers vor eventuellen Überlastungen ist er mit einer Hauptsicherung von 0,5A (26) abgesichert. Sollte sie durchbrennen, trennen Sie das Gerät von der Stromversorgung und tauschen Sie die Sicherung gegen eine neue mit identischen Werten aus. **NIEMALS DARF EINE SICHERUNG MIT HÖHEREN WERTEN EINGESETZT WERDEN.**



ACHTUNG: Wenden Sie sich bitte für den Wechsel der Sicherung an technisch qualifizierte Personen.

3.2. Anschließbare Signalquellen

- Plattenspieler müssen mit einem Magnettonabnehmer ausgestattet sein, welcher einen Nennausgangspegel zwischen -60 und -20dBV (1 bis 100mV) liefert. Da die Phonoeingänge (36) eine sehr hohe Übersteuerungskapazität vorweisen, ist der Anschluß von Systemen mit höherem Ausgangspegel ebenfalls möglich. Die Nennempfindlichkeit der Phono-Eingänge beträgt -40dBV (10mV).

- Mikrophone: Die MIC-Eingänge (20-33) sind für einen Nenneingangspegel von -50dBV (3.16mV) geeignet. Diese Eingänge sind mit "COMBO"-Buchsen ausgestattet. Die COMBO Buchse enthält einen XLR-3 und einen 1/4" Jack Anschluss im selben Gehäuse. Die symmetrischen XLR-Buchsen müssen wie folgt angeschlossen werden:

		XLR-3	¼" Jack
Direktes (Hot) Signal	>	Pin2	Spitze
Invertiertes (Cold) Signal	>	Pin3	Ring
Masse	>	Pin1	Mantel

Die angeschlossenen Mikrophone sollten eine niedrige Impedanz (200 bis 600Ω) aufweisen und Monophon sein. Für einen unsymmetrischen Anschluß müssen Pin 1 und Pin 3 (bzw. Mantel und Ring) kurzgeschlossen werden.

Der COMPACT5 verfügt über Phantom-Speisung für Kondensatormikrophone. Der Schalter für die globale Aktivierung dieser Phantom-Speisung befindet sich oben rechts auf der Frontplatte (14) und kann nur mit einem spitzen Gegenstand betätigt werden.

-Line-Eingänge: Compact Disk, DAT, MP3, DVD-Audio, Tonbandgeräte, Kassettenrecorder, Videogeräte, Radioempfänger... können an die Line-Eingänge (18-34-36-37) angeschlossen werden. Diese weisen eine Eingangsempfindlichkeit von 0dBV (1V) auf.

Der "AUX IN 3" Hilfseingang (18) befindet sich auf der Frontplatte und ist elektrisch mit Kanal 3 verbunden. Ein beliebiges Line-Level Signal darf diesem Eingang zugespeist werden.

- Kopfhörer: Um die beste Leistung zu erreichen, sollte der Kopfhörer eine hohe Impedanz (200-600Ω) aufweisen. Dieser wird durch Standard ¼" Stereoklinkestecker am HEADPHONES-Ausgang angeschlossen (17). Der Mantel des Steckers entspricht der Masse, der Ring dem rechten Kanal und die Spitze dem linken Kanal.

- Endstufen: siehe Abschnitt 4.6.

4. INBETRIEBNAHME

4.1. Einschalten

Dieses Gerät wird durch den Netzschalter POWER (11) eingeschaltet, wobei eine grüne Leuchte im Schalter den Betriebszustand anzeigt. Das Einschalten bei heruntergeregeltem OUTPUTS (12, 15) wird keine Störgeräusche verursachen; trotzdem empfehlen wir, die Geräte in folgender Reihenfolge einzuschalten: zuerst die Signalquellen, dann Mischpult, Equalizer, aktive Filter und schließlich die Endstufe. Um die Geräte auszuschalten, verfahren Sie in umgekehrter Reihenfolge. Wenn Sie dies beachten, werden die beim Einschalten erzeugten Spannungsspitzen keines der angeschlossenen Geräte in irgendeiner Weise beeinträchtigen und daher auch nicht die Lautsprecher erreichen, die dadurch beschädigt werden könnten.

4.2. Vorhören

Der COMPACT 5 ist mit einem Vorhörssystem ausgestattet, welches Ihnen erlaubt, die verschiedenen Kanäle optisch auf dem VU-Meter oder akustisch über Kopfhörer zu kontrollieren. Durch Betätigen eines der PFL Schalter (23) können Sie das (die) jeweilige(n) Eingangssignal(e) mit dem Kopfhörer oder dem VU-Meter überwachen. Wenn kein PFL-Schalter aktiviert ist, hören Sie das Signal des Main Mix Bus (Fader offen).

4.3. Eingangsempfindlichkeit und Klangregelung

Diese Regler erlauben ein individuelles Einstellen der Eingangsempfindlichkeit und der Klangcharakters für jeden Kanalzug.

Mittels des GAIN-Reglers (2) können Sie den Pegel eines einzublendenden Musikssignals mit dem des bereits abspielenden Signals präzise ausgleichen. Diesen Vorgang können Sie entweder visuell (mittels des linken VU-Meters) oder akustisch (mittels Kopfhörer) realisieren, indem Sie abwechselnd den Pegel der beiden Signale mittels der PFL-Funktion vergleichen. Der GAIN-Regler ermöglicht einen Einstellbereich von $\pm 20\text{dB}$. Die dreistufigen Klangregler (1-3-25) bieten einen Einstellbereich der Bass-, Mitten- und Hochfrequenzen von $\pm 20\text{dB}$. Seien Sie bei der Benutzung der Klangregelung vorsichtig, um Schaden an den Lautsprechern vorzubeugen.

4.4. Kanalanzeigen

Jeder der fünf Eingangskanäle verfügt über zwei Anzeigen. Die grüne SIGNAL Leuchtdiode (4) informiert über die Anwesenheit eines Audiosignals am momentan selektierten Eingangsweg. Diese Kontroll-LEDs leuchten auf, wenn das Eingangssignal -40dBV erreicht oder überschreitet.

Die roten PEAK-Anzeigen (6) leuchten auf, wenn das Eingangssignal einen zu hohen Pegel besitzt und somit den Mixer übersteuert. Es ist normal, das im Betrieb bei voller Leistung die PEAK-Anzeigen im Rhythmus der Tieffrequenzen aufleuchtet, da diese die größte Energie besitzen. Es sollte nur beachtet werden, daß die CLIP-Anzeigen nicht permanent leuchten. Diese Kontroll-LEDs leuchten auf, wenn das Eingangssignal 10dBV erreicht oder überschreitet.

4.5 Talkover

Diese Vorrichtung kann auf automatische Weise den Signalpegel des Hauptausgangs absenken, wenn die Stimme des DJ's oder Sprechers über ein an Kanal 5 angeschlossenes Mikrofon (oder Line-Signalquelle) ein Signal erzeugt. Wenn der Pegel dieses Kanals wieder abfällt, wird der Musikpegel wieder auf den normalen Wert angehoben. Ein TALKOVER-Hauptschalter (8) aktiviert die Übersprechfunktion. Einstellbar sind die Effizienz der Übersprechfunktion EFF (19) d.h. die Absenkung des Hauptsignalpegels (zwischen 0 und 30 dB) sowie die Verzögerungszeit TIME(9) bis zur erneuten Anhebung des Pegels (zwischen 0.1 und 3 Sekunden)

Durch die Modifikation bestimmter gelöteter Brückenkontakte im inneren des Gerätes ist es möglich, Kanal 4 als Auslöser der Talkover-Funktion zuzuordnen. Siehe Konfigurationsdiagramm.



Überlassen Sie jede Änderung in der Konfiguration des Geräts stets qualifiziertem Fachpersonal.

4.6. Ausgänge

Der COMPACT 5 besitzt zwei voneinander unabhängige Ausgänge, OUTPUT 1 (30-31) und OUTPUT 2 (29), für die es auch unabhängige Volume-Regler gibt.

Bitte treffen Sie besondere Vorsichtsmaßnahmen bei der Einstellung des Gesamtausgangspegels, indem Sie sich vergewissern, daß die Clip Indikatoren der Endstufen nicht dauernd aufleuchten, sondern höchstens dem Rhythmus der niederfrequenten Signale folgen.

Der Ausgang OUT1 (30-31) ist SYMMETRISCH ausgelegt, wobei folgende Pinbelegung gilt:

Direktes (Hot) Signal	>	Pin 2
Invertiertes (Cold) Signal	>	Pin 3
Masse	>	Pin 1

Falls Sie den OUT1-Ausgang in einer unsymmetrischen Konfiguration benutzen wollen, müssen Sie den nicht benutzten Pin mit Masse kurzschließen. Andererseits würde der Pegel des Signals ungenügend und dessen Qualität mangelhaft sein.

Der Ausgang OUT2 (29) ist UNSYMMETRISCH ausgelegt.

Der COMPACT 5 besitzt einen Aufnahme-Ausgang. REC (32) entnimmt das Signal vor der Talkover-Schaltung (d.h. Kanalzüge, die das Talkover-System aktivieren, werden nicht miteinbezogen, dadurch treten keine Pegelschwankungen auf).

5. WEITERE ERLÄUTERUNGEN

5.1. Erdungsschleifen, Hintergrundrauschen

Bei der Entwicklung dieses Mixers haben wir auszuschließen versucht, daß Signalquellen und am Ausgang angeschlossenen Geräte Masseverbindung haben können. Sollte der Mixer über verschiedene Wege an die Masse angeschlossen sein, kann dies zu Störgeräuschen ("Brummschleife") und Einbußen der Klangqualität führen.

Um das Auftreten von Erdungsschleifen zu verhindern, dürfen die Abschirmungen der Anschlußkabel keinesfalls miteinander verbunden werden.

Bei der Entwicklung des COMPACT 5 wurde größter Wert auf die Minimierung des Hintergrundrauschens gelegt. Unabhängig davon hängt der Rauschpegel direkt von der korrekten Installation und Bedienung des Mixers ab.

Es ist beispielsweise nicht das gleiche, wenn der Kanalfader auf "2" und der Master auf "10" steht, als umgekehrt. Im ersten Fall ist das Signal, das den Verstärker des Mixers erreicht, schwach, daher ist auch der relative Rauschanteil gering. Wenn das Signal verstärkt wird, ist das Ergebnis ein sehr hoher Ausgangs -Rauschpegel. Im zweiten Fall, wo der Kanal Fader auf Maximum steht, ist das zu verstärkende Signal relativ stark, d.h. der Signal-Rauschabstand ist ebenfalls hoch. Daher ist das Verhältnis, wenn das Signal den VOL OUTPUT erreicht und verstärkt wird, besser als im ersten Fall und sie erhalten ein sauberes, rauschfreies Signal.

5.2. Reinigung

Die Frontplatte darf nicht mit lösungsmittelhaltigen oder scheuernden Substanzen gereinigt werden, da hierbei die Oberfläche beschädigt werden könnte. Verwenden Sie zur Reinigung der Frontplatte ein feuchtes Tuch und etwas milde Seifenlauge. Trocknen Sie danach die Oberfläche sorgfältig ab.

Lassen Sie niemals Wasser in die Öffnungen der Frontplatte gelangen.

6. TECHNICAL CHARACTERISTICS
6. CARACTÉRISTIQUES TECHNIQUES

6. CARACTERÍSTICAS TÉCNICAS
6. TECHNISCHE DATEN

Inputs Sensitivity nom/Impedance	LINE (A-B-AUX IN) PHONO MICRO (BAL)	0dBV/50k Ω -40dBV/50k Ω -50dBV/> 1k Ω
Outputs Level/Minimum Load	OUT 1 (BAL) OUT 2 REC HEADPHONES	0dBV/600 Ω 1V 0dBV/2.2k Ω 1V 0dBV/10k Ω 230mW/400 Ω
Frequency Response	LINE MICRO BAL PHONO	10Hz \pm 30kHz -1dB 10Hz \pm 25kHz -1dB RIAA \pm 0.5dB
THD + N	LINE MICRO PHONO	<0.01% <0.1% <0.2%
CMRR	MICRO	>70dB @ 1kHz
Signal Noise Ratio	LINE MICRO PHONO	>100dB >85dB >90dB
Gain control all inputs	GAIN	\pm 20dB
Tone control	BASS MID TREBLE	100Hz \pm 12dB 1.8kHz \pm 15dB 10kHz \pm 11dB
Talkover	TIME EFFECT	0.3/3 seg 0/-30 dB
Signal present indicators	LINE MICRO	-40dB -90dB
Clip indicators		+ 10dB
Phantom voltage		+ 18VDC/5mA max
Mains Power consumption		90-264VCA 47-63Hz 28VA
Dimensions		482.6x132.5x200mm
Weight		3.7kg

7. DIAGRAMS
7. SCHÉMAS

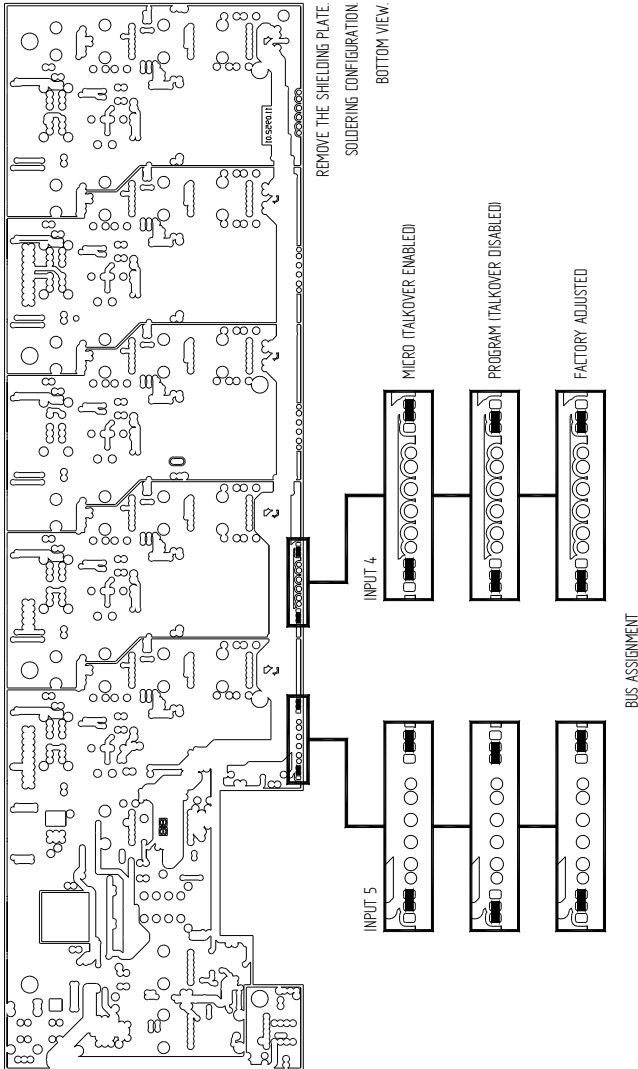
7. DIAGRAMAS
7. DIAGRAMME

7.1. Talkover control bus configuration diagram

7.1. Diagrama de configuración del bus de control de talkover

7.1. Schéma de configuration du bus de commande de la fonction Talkover

7.1. Konfigurationsdiagramm für die Zuordnung der Talkover-Funktion



⚠ CAUTION: DISCONNECT THE UNIT FROM THE MAINS SUPPLY.
ATTENTION: ANY CHANGE IN THE CONFIGURATION OF THE UNIT MUST BE CARRIED OUT BY A QUALIFIED TECHNICIAN.

7.2. Function list

1. Midrange control, MID
2. Input sensitivity adjust, GAIN
3. Treble control, TRES
4. LED indicator, SIGNAL
5. Input selector
6. LED indicator, PEAK
7. LED indicator, TALKOVER
8. Talkover on
9. Talkover Recovery time control, TIME
10. LED VU Meter
11. Switcher and start up pilot, POWER
12. Volume control OUTPUT1, VOL
13. LED indicator, PHANTOM
14. Phantom switch, PHANTOM
15. Volume control OUTPUT 2, VOL
16. Headphones volume control, VOL
17. Stereo jack, headphones
18. Line input, AUX IN 3
19. Talkover effect control, EFF
20. Microphone balanced input, MIC
21. Space for identifying label
22. Channel gain, VOLUME
23. Prefader listening control, PFL
24. LED indicator PFL
25. Bass control, BASS
26. Fuse holder
27. Ground pin, GND
28. Mains socket
29. RCA output, OUT2
30. Right channel balanced output, OUT1 R
31. Left channel balanced output, OUT1 L
32. Recording output, REC
33. Microphone balanced input, MIC
34. Line input, LINE
35. Phono – line switch, PHONO – LINE B
36. Line input, LINE B
37. Line input, LINE A

7.2. Lista de funciones

1. Control de medios, MID
2. Ajuste de la sensibilidad de entrada, GAIN
3. Control de agudos, TRES
4. Indicador luminoso, SIGNAL
5. Selector de entradas
6. Indicador luminoso, PEAK
7. Indicador luminoso, TALKOVER
8. Puesta en marcha Talkover
9. Control tiempo de recuperación talkover, TIME
10. Vu-meter a leds
11. Interruptor y piloto puesta en marcha, POWER
12. Control de volumen OUTPUT1, VOL
13. Indicador luminoso, PHANTOM
14. Conmutador phantom, PHANTOM
15. Control de volumen OUTPUT2, VOL
16. Control de volumen auriculares, VOL
17. Jack estéreo auriculares
18. Entrada de línea, AUX IN 3
19. Control de efecto talkover, EFF
20. Entrada balanceada de micrófono, MIC
21. Espacio para la etiqueta identificativa
22. Control de volumen de la vía, VOLUME
23. Conmutador de preescucha, PFL
24. Indicador luminoso, PFL
25. Control de graves, BASS
26. Portafusibles
27. Borne de toma de masa, GND
28. Base de toma de red
29. Salida RCA, OUT 2
30. Salida balanceada canal derecho, OUT 1 R
31. Salida balanceada canal izquierdo, OUT1 L
32. Salida de grabación, REC
33. Entrada balanceada de micrófono, MIC
34. Entrada de línea, LINE
35. Conmutador, PHONO – LINE B
36. Entrada de línea, LINE B
37. Entrada de línea, LINE A

7.2 Liste de fonctions

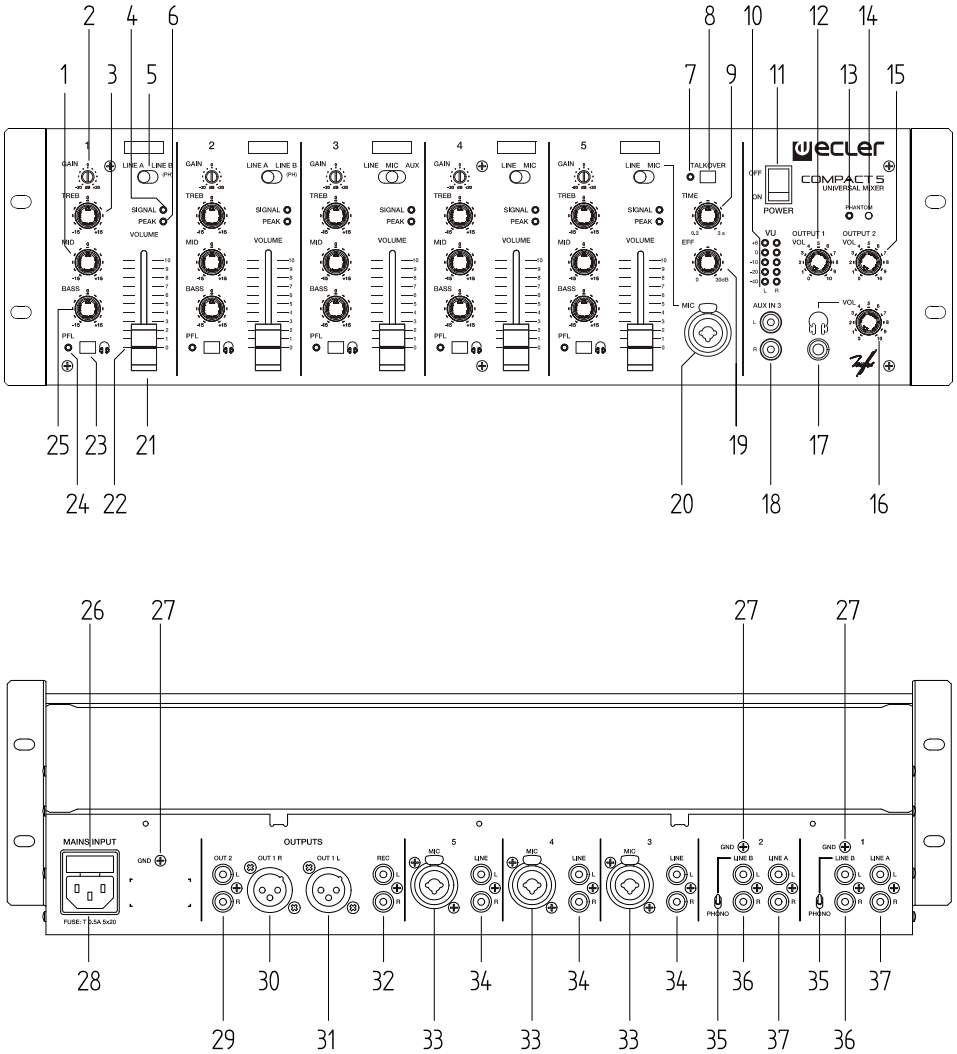
1. Contrôle des médiums, MID
2. Réglage de sensibilité d'entrée, GAIN
3. Contrôle des aigus, TREB
4. Indicateur lumineux, SIGNAL
5. Sélecteur d'entrée
6. Indicateur lumineux, PEAK
7. Indicateur lumineux, TALKOVER
8. Mise en marche du Talkover
9. Contrôle du temps de Talkover, TIME
10. VU-mètre à Leds
11. Interrupteur de mise en marche, POWER
12. Contrôle de volume OUTPUT 1, VOL
13. Indicateur lumineux, PHANTOM
14. Commutateur, PHANTOM
15. Contrôle de volume OUTPUT 2, VOL
16. Contrôle de volume du casque, VOL
17. Jack stéréo connexion casque
18. Entrée ligne, AUX IN 3
19. Contrôle de l'effet Talkover, EFF
20. Entrée symétrique Micro, MIC
21. Espace réservé à l'étiquette d'identification
22. Gain de la voie, VOLUME
23. Commutateur de pré-écoute, PFL
24. Indicateur lumineux de PFL
25. Contrôle des graves, BASS
26. Porte fusibles
27. Borne de masse, GND
28. Embase secteur
29. Sortie RCA, OUT2
30. Sortie symétrique canal droit, OUT1 R
31. Sortie symétrique canal gauche, OUT1 L
32. Sortie d'enregistrement, REC
33. Entrée symétrique Micro, MIC
34. Entrée ligne, LINE
35. Commutateur, PHONO – LINE B
36. Entrée ligne, LINE B
37. Entrée ligne, LINE A

7.2. Funktionsliste

1. Mittenregler, MID
2. Eingangspegelregler, GAIN
3. Höhenregler, TREB
4. LED Anzeige, SIGNAL
5. Eingangswahlschalter
6. LED Anzeige, PEAK
7. LED Anzeige, TALKOVER
8. Übersprechfunktion
9. Übersprech- Verzögerungsregler, TIME
10. LED VU Meter
11. Netzschalter und Kontroll, POWER
12. Ausgang OUTPUT 1 Pegelregler, VOL
13. LED Anzeige, PHANTOM
14. Phantom-Schalter, PHANTOM
15. Ausgang OUTPUT 2 Pegelregler, VOL
16. Kopfhörerpegelregler, VOL
17. Stereo Kopfhörerbuchse
18. Line Eingang, AUX IN 3
19. Übersprech- Empfindlichkeitsregler, EFF
20. Symmetrierter Mikrophoneingang, MIC
21. Platz für Identifikationsetikett
22. Kanalpegel, VOLUME
23. Prefader Vorhörer-Schalter, PFL
24. Optische PFL Anzeige
25. Tiefenregler, BASS
26. Sicherungshalter
27. Erdungsklemme, GND
28. Netzanschlußbuchse
29. RCA Ausgang, OUT 2
30. Symmetrierter Hauptausgang rechts, OUT1 R
31. Symmetrierter Hauptausgang, links, OUT1 L
32. Aufnahme-Ausgang, REC
33. Symmetrierter Mikrophoneingang, MIC
34. Line Eingang, LINE
35. Schalter, PHONO – LINE B
36. Line Eingang, LINE B
37. Line Eingang, LINE A

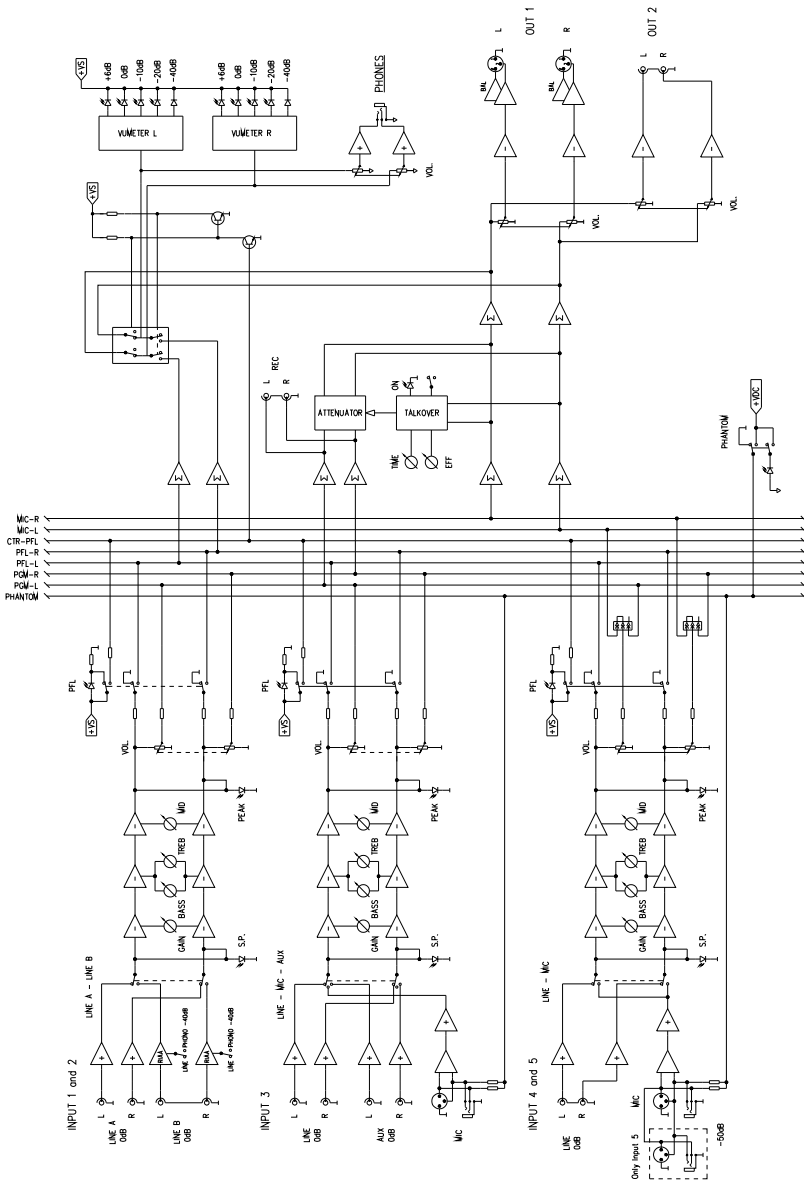
7.3. Function diagram
7.3. Diagramme de fonctions

7.3. Diagrama de funciones
7.3. Funktionsübersicht



7.4. Block diagram
7.4. Diagramme des blocs

7.4. Diagrama de bloques
7.4. Blockschaltbild





50.0071.01.02

ECLER Laboratorio de electro-acústica S.A.
Motors 166-168, 08038 Barcelona, Spain
INTERNET <http://www.ecler.com> e-mail: info@ecler.es