

1. Plug in HUB and download pilot app

1. Plug the HUB to the mains using the power cord
2. Use an Ethernet cable to connect the HUB to the router
3. Download and install the Ecler pilot app in your Tablet/ Smartphone

2. Connect inputs and outputs

Sound sources

HUB

Amp

Speakers

3. Power ON the HUB and link with pilot

1. Power ON sound sources
2. Power ON HUB unit
3. Power ON Amplifier
4. Open the Ecler pilot app in your Smartphone/Tablet and press "Discover Devices"

Make sure that the HUB unit and your mobile device are connected to the same Network

4. Select your HUB and pilot panels

1. Select your device (if your device does not appear on the list, please check the HUB manual to connect it manually)
2. Touch on the Public Pilot Panels button to access public profile user panels
3. Choose the area you want to control

5. Ready to work. PLAY!

With the pilot panel you will be able to control volume, EQ and source of every zone.

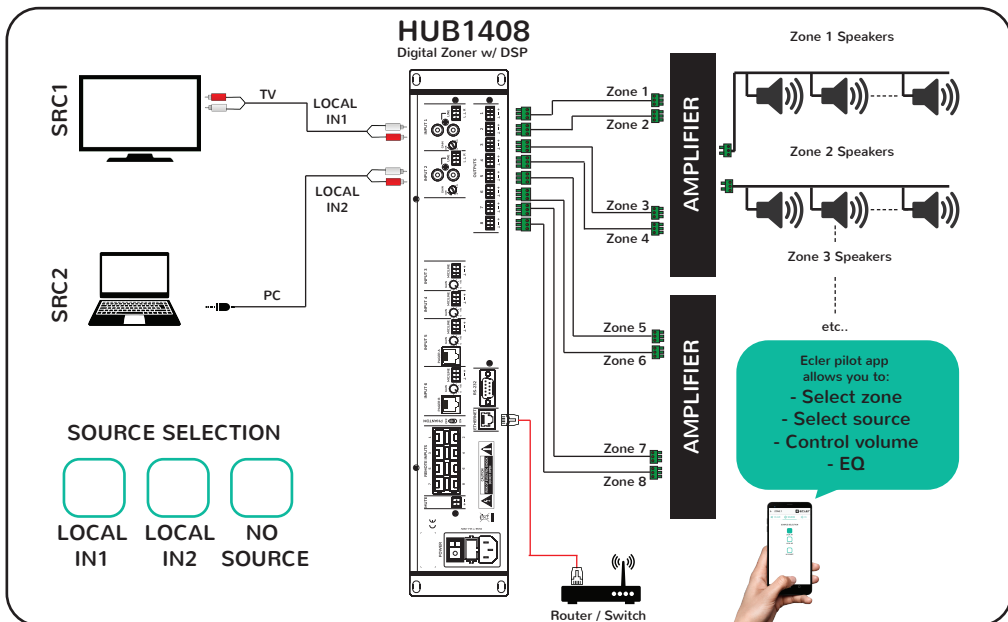
Predefined Setups

- 16 ZONES MONO - 2 SO...
- 16 ZONES MONO - 4 SO...
- 8 ZONES STEREO - 4 SO...
- 8 ZONES STEREO - 6 SO...

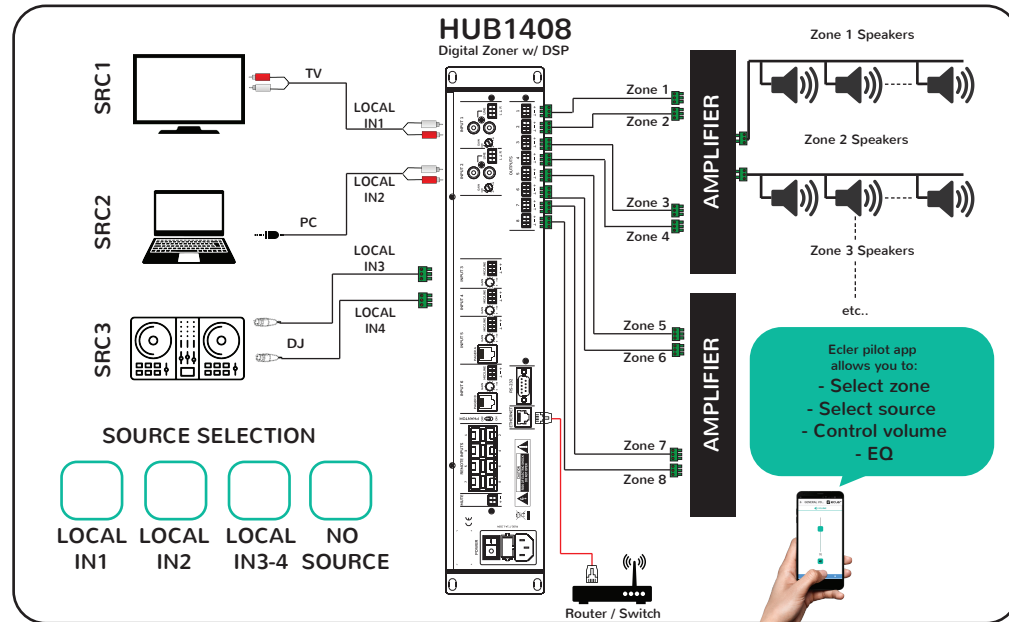
Load a different configuration in seconds. Check each of the available settings on the reverse of the sheet.

For advanced setup and control via web browser, please check the HANGAR user manual. Available @ ecler.com

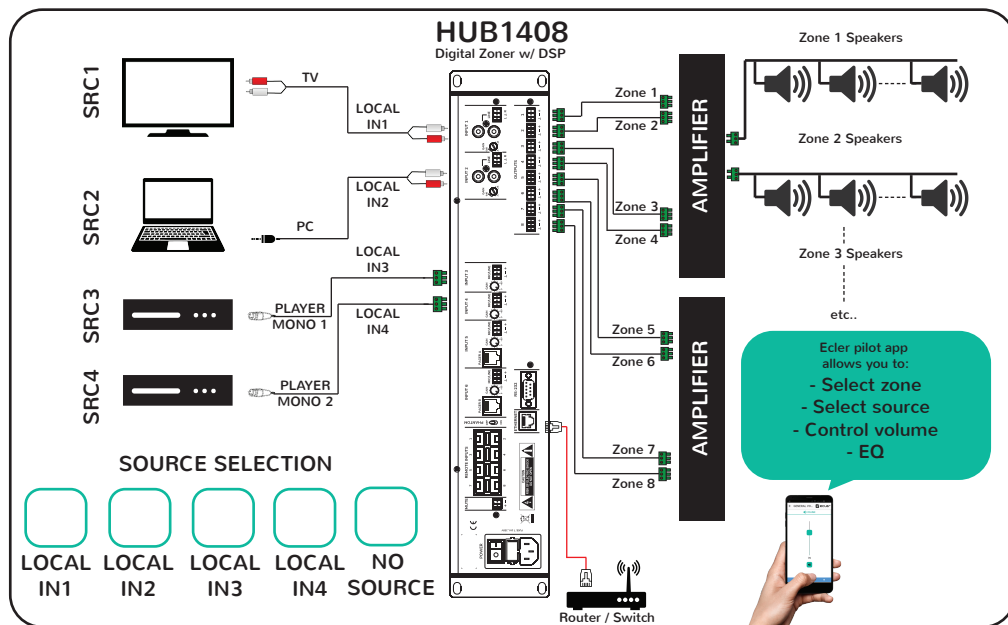
Factory setup / 8 ZONES MONO – 2 SOURCES



8 ZONES MONO – 3 SOURCES



8 ZONES MONO – 4 SOURCES



4 ZONES STEREO – 3 SOURCES

