

# eMCONTROL1

## DIGITAL CONTROLS & PANELS

### Digital remote control



## PRODUCT OVERVIEW

eMCONTROL1 is a digital wall control, compatible with HUB series digital zoners with DSP, configurable through the web application HANGAR (embedded in HUB devices). It allows you to configure source selection, volume control and equalization for a given zone, including all or some of the functions. Compatible with eMIMO1616.

It can be combined with a WPa series wall panel, connecting both with a single CAT5 cable or better to the HUB unit, transmitting the mono and balanced audio signal (line level) along with the necessary control data and DC power supply.

## KEY FEATURES

- Digital control panel compatible with HUB Series and eMIMO1616
- Volume adjustment, source selection and EQ (programmable)
- Compatible with WPa series panels with audio connector, for sending audio, control signals and DC supply over a single CAT5 cable or better
- Optional external PSU (24VDC). Compatible with WP24-PSU power supply unit
- Styling designed in collaboration with Italdesign Giugiaro
- Compatible with electrical round boxes. 60mm internal diameter
- Surface-mount box included

## APPLICATIONS

- Retail
- Corporate
- Leisure

## ACCESSORIES & COMPATIBLE PRODUCTS

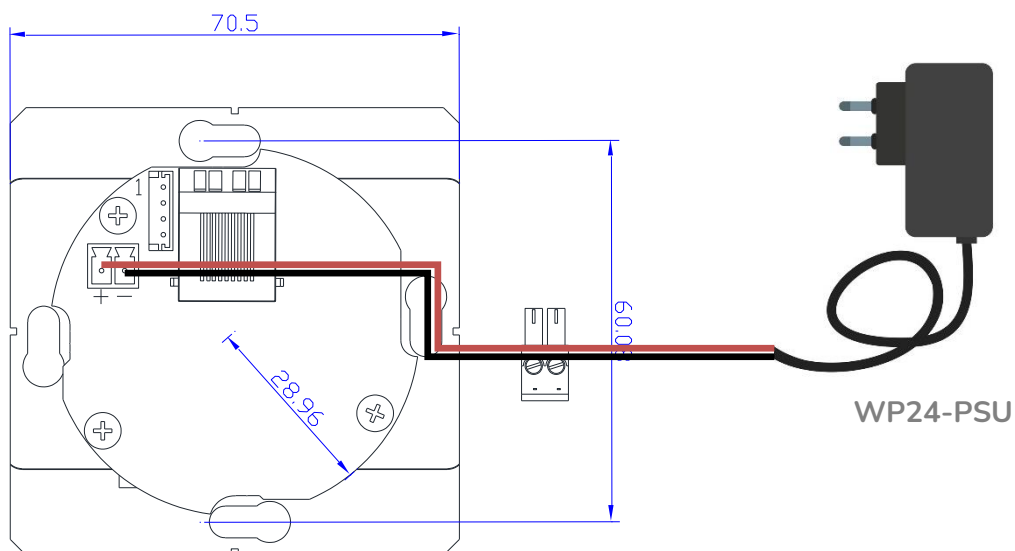
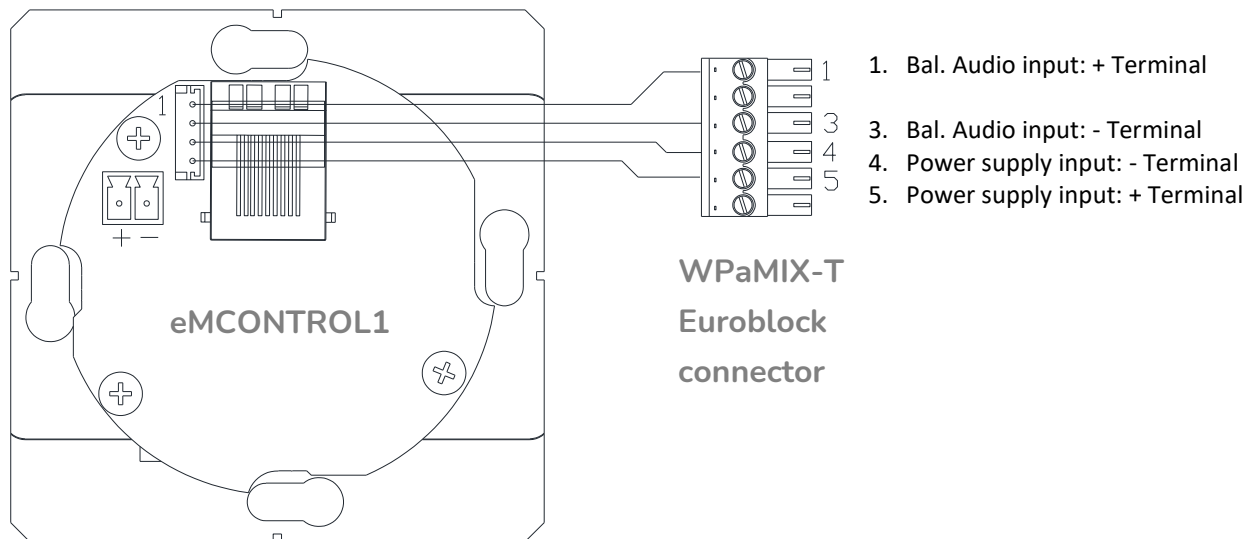
- HUB Series
- eMIMO1616
- WPaMIX-T
- WP24-PSU
- WPa2FMBOX
- WPa2SMBOX

## TECHNICAL SPECIFICATIONS

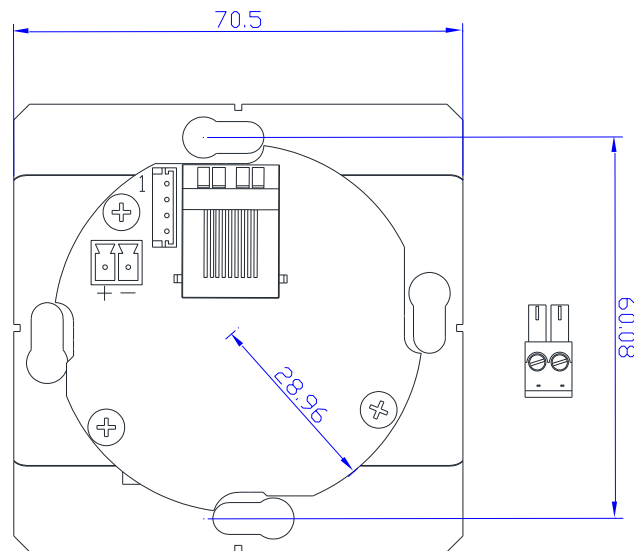
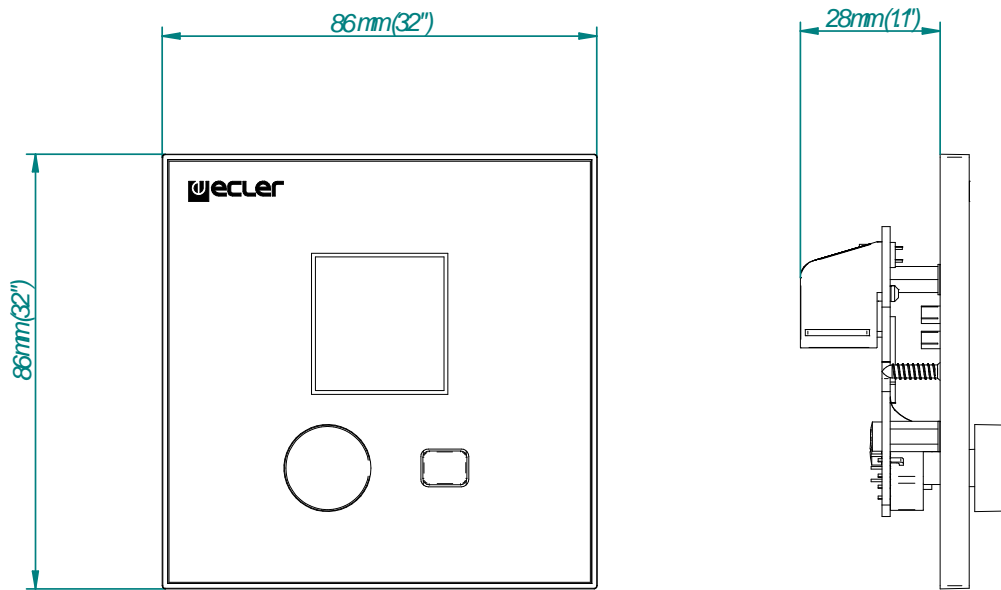
## eMCONTROL1

<b>Control keys</b>	Encoder, selection key
<b>Display</b>	LCD 128x128 pixels
<b>Communication standard</b>	RS-485
<b>Connector</b>	RJ-45 remote port
<b>Recommended cable quality</b>	CAT-5e or better
<b>External power supply</b>	Optional, 24VDC (min. 30mA) Recommended external power supply: Ecler WP24-PSU
<b>Finished colour</b>	White (RAL 9016)
<b>Dimensions (WxHxD)</b>	86x86x28mm / 3.2"x3.2"x1.1" Compatible with electrical round boxes. 60mm internal diam.
<b>Weight</b>	150g.
<b>Included accessories</b>	Surface-mount box, cable to interconnect with WPaMIX-T
<b>Optional accessories</b>	External power supply: WP24-PSU

CONNECTION DIAGRAM

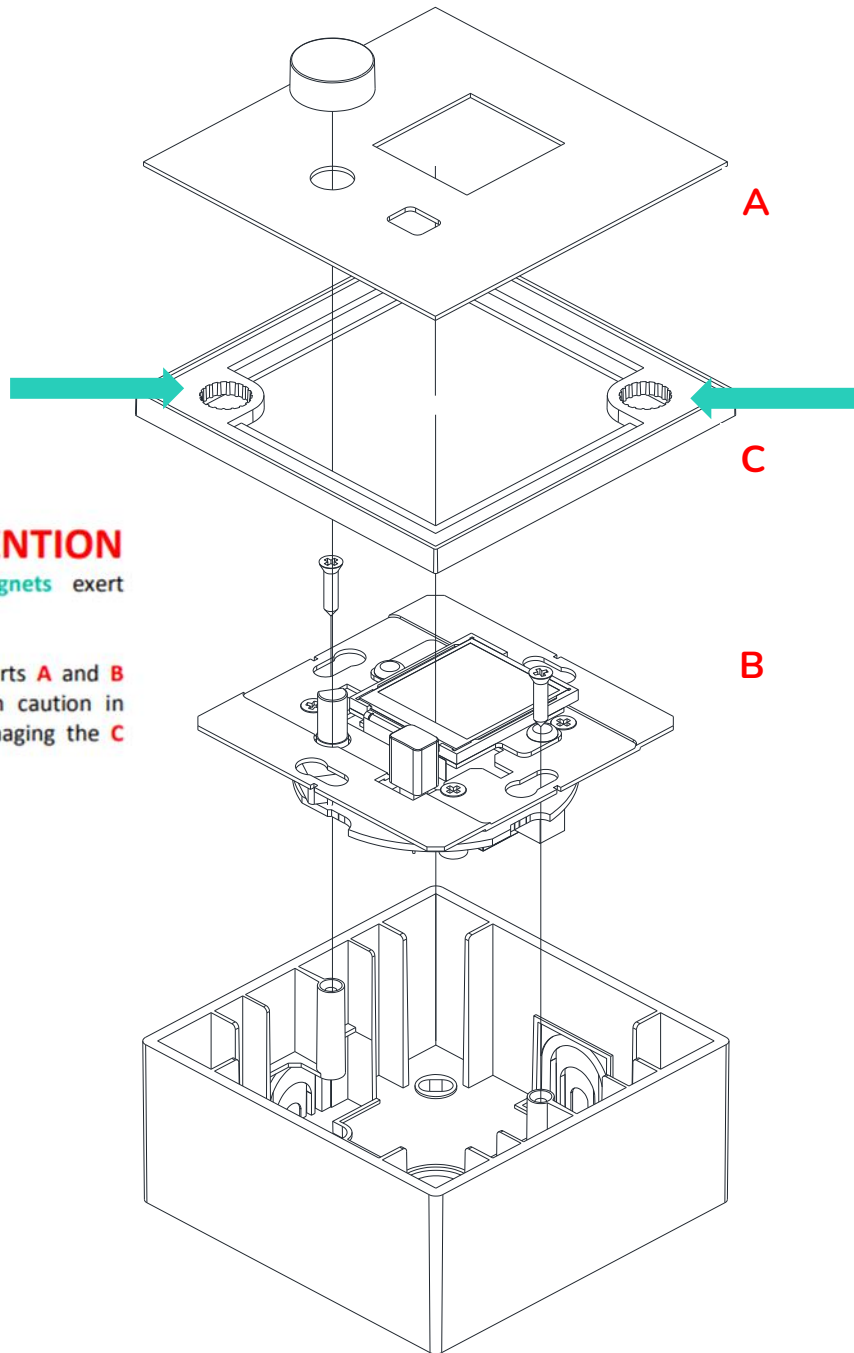


MECHANICAL DIAGRAM



Distances are in millimeters

MOUNTING DIAGRAM



**ATTENTION**

The **C** frame magnets exert considerable force.

The assembly of parts **A** and **B** must be done with caution in order to avoid damaging the **C** frame lining.



All product characteristics are subject to variation due to production tolerances. **NEEC AUDIO BARCELONA S.L.** reserves the right to make changes or improvements in the design or manufacturing that may affect these product specifications

For technical queries contact your supplier, distributor or complete the contact form on our website, in [Support / Technical requests](#).

Motors, 166-168 08038 Barcelona - Spain - (+34) 932238403 | [information@ecler.com](mailto:information@ecler.com) | [www.ecler.com](http://www.ecler.com)