

WPaMIX-T

ANALOG CONTROLS & PANELS

Wall Panel Micro-Mixer



PRODUCT OVERVIEW

WPaMIX-T is a 2 channel micro-mixer which keeps the wall-panel format of the WPa series. It allows mixing a stereo unbalanced signal (2xRCA) with MIC signal (XLR), getting a balanced mono output that can be sent to preamplifiers, amplifiers, digital or analogue matrix, etc., thus saving inputs in the receiver device.

The MIC input includes a 2 band EQ (Bass, Treble) and it can use the talk-over function to override the line signal when the microphone exceeds the talk-over detection signal.

KEY FEATURES

- Unbalanced stereo line input (2xRCA)
- Balanced MIC input with BASS and TREBLE controls and selectable Phantom power
- Independent volume controls for LINE and MIC inputs
- Talk-over function available (MIC over LINE)
- External PSU required (15 VDC or 24VDC). Compatible with WP24-PSU power supply unit
- It can be combined with an eMCNTROL1 to work as a remote audio input for HUB Series digital zoner or eMIMO1616 digital matrix
- Surface-mount box included
- Available in white colour (RAL 9016)

APPLICATIONS

- Retail
- Corporate
- Leisure

ACCESSORIES & COMPATIBLE PRODUCTS

- eMCNTROL1
- WP24-PSU
- WPa2FMBOX
- WPa2SMBOX

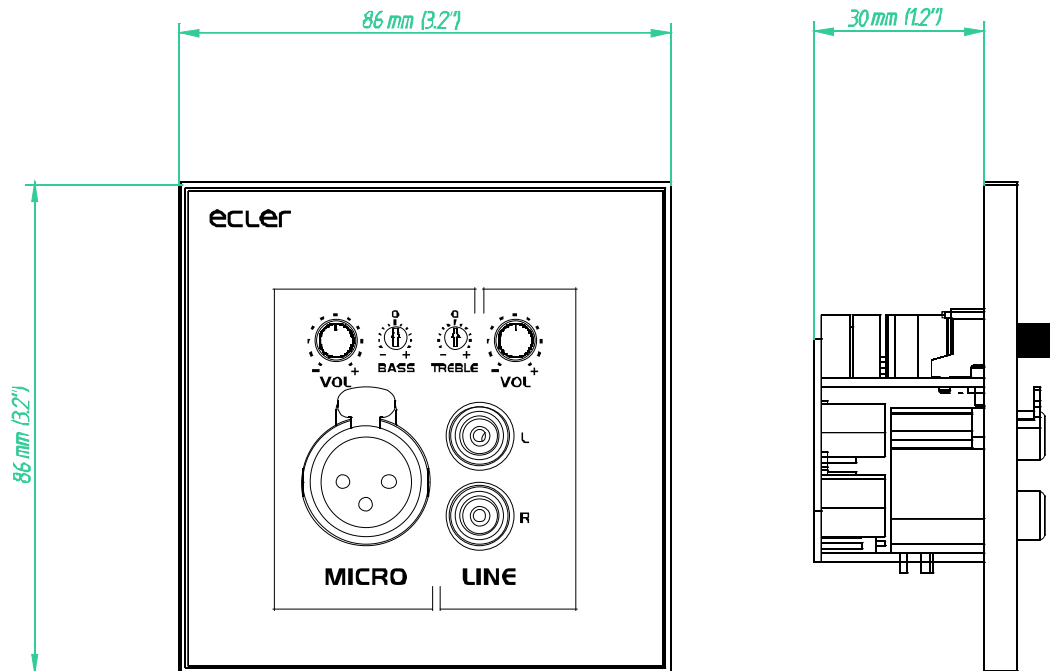
TECHNICAL SPECIFICATIONS

WPaMIX-T

Input Sensitivity/Impedance	LINE: -10dBV / 10kΩ MIC: -40 or -20dBV* / >1kΩ
Output Level/ Minimum Load	0dBV / 600Ω (max. +17dBV)
Frequency Response	LINE: 5Hz – 30kHz MIC: 10Hz – 40kHz
THD	LINE:<0.005% MIC: <0.01%
CMRR	MIC: >55dB @ 1kHz
Signal Noise Ratio	LINE: >105dB MIC: >90dB
Tone Control	BASS: 100Hz ± 10dB TREBLE: 10kHz ± 10dB
Talk-over	-30dB/ 3s aprox.
Phantom voltage	+15VDC
External power supply	15VDC (min. 30mA) or 24VDC (min. 30mA) Recommended external power supply: Ecler WP24-PSU
Power Consumption	25mA
Finished colour	White (RAL 9016)
Dimensions (WxHxD)	86x86X30mm / 3.2"x3.2"x1.2"
Weight	125g.

*Internally selectable

MECHANICAL DIAGRAM



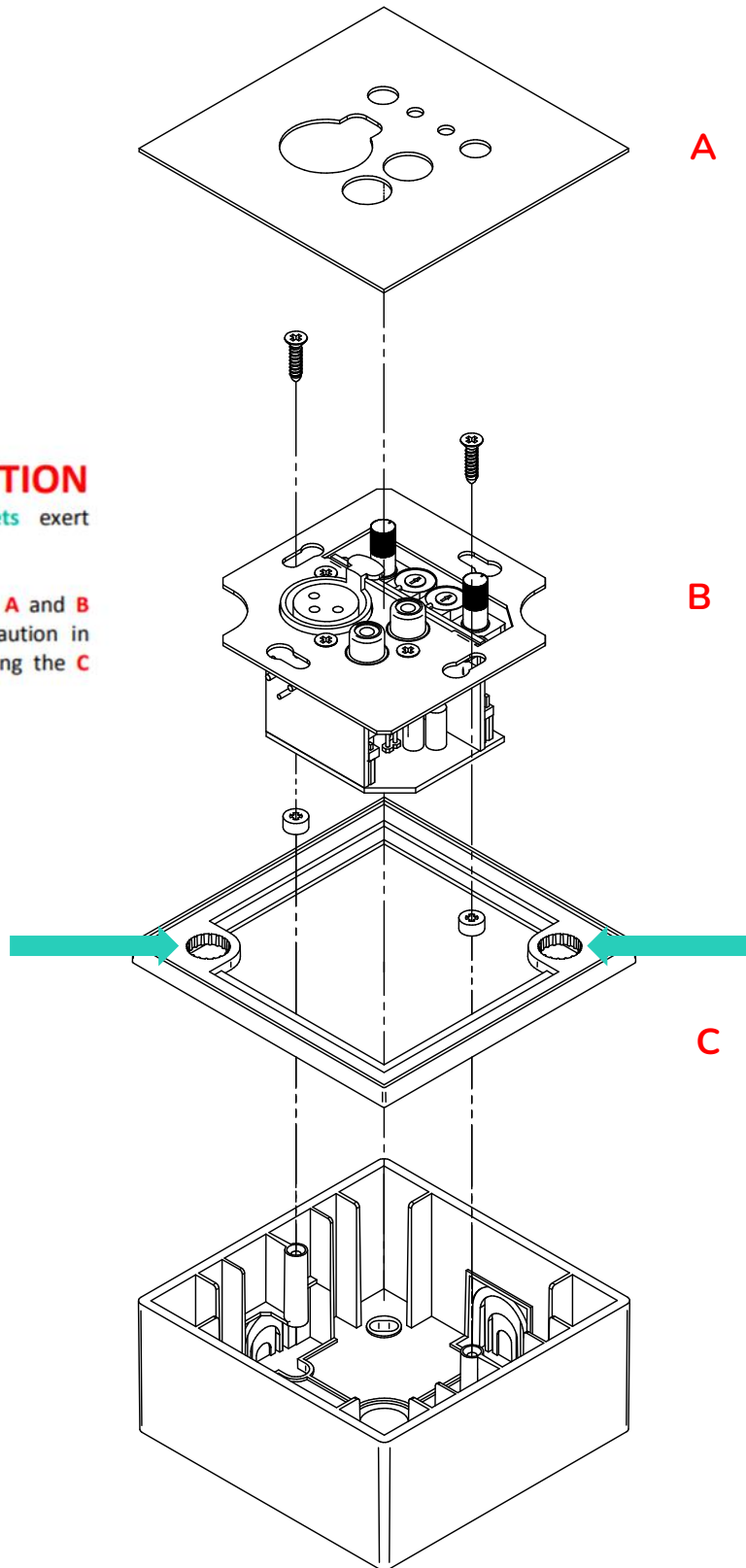
MOUNTING DIAGRAM



ATTENTION

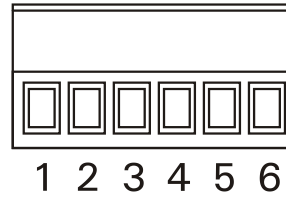
The **C** frame magnets exert considerable force.

The assembly of parts **A** and **B** must be done with caution in order to avoid damaging the **C** frame lining.

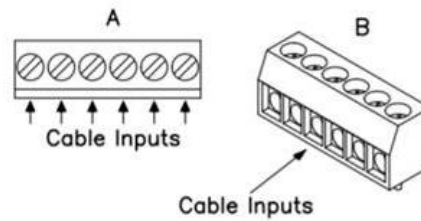


CONNECTION DIAGRAM

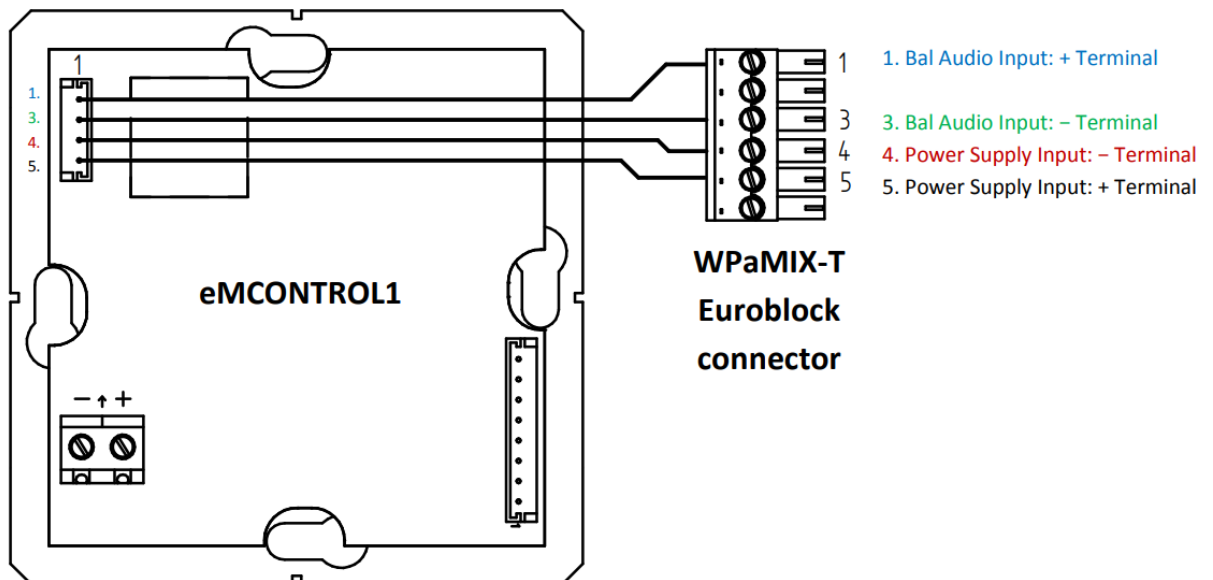
1. Balanced audio output: positive terminal (+)
2. Balanced audio output: earth terminal
3. Balanced audio output: negative terminal (-)
4. External power supply input: 0VDC (-)
5. External power supply input: +24VDC (+)
6. External power supply input: +15VDC (+)



Caution with connector position
Windows for cables should be as shown in the drawing



WPaMIX-T AND eMCONTROL1 CONNECTION





All product characteristics are subject to variation due to production tolerances. **NEEC AUDIO BARCELONA S.L.** reserves the right to make changes or improvements in the design or manufacturing that may affect these product specifications.

For technical requests address to your supplier, distributor or fill the contact form in our website, at [Support / Technical Request](#).

Motors, 166-168 08038 Barcelona - Spain - (+34) 932238403 | information@ecler.com | www.ecler.com