

PLAYER ONE

MUSIC SOURCES

Streaming & Media Audio Player



PRODUCT OVERVIEW

PLAYER ONE is a compact audio player with a stereo output that can play music contents from local storage media (USB/MicroSD card), Internet streams or digital sharing streams (DLNA and Airplay compatible). Fully configurable through web application (point-to-point or through the same LAN). It includes Ethernet port, Wi-Fi connection, USB and MicroSD reader slots, front panel LCD display and local controls.

KEY FEATURES

- Single-deck audio player
- Stereo output, RCA connectors and mini-jack
- Internet streaming receiver
- Digital sharing streams receiver (DLNA and Airplay)
- Local media player (from USB and Micro SD card slots)
- Front panel LCD display and local controls
- Programmable via front panel and embedded web app.
- Remote management through [Ecler Gallery](#).
- Remote control via [RePLAYER app](#)
- 2 GPI control ports to trigger events (priority message playback, music playlist load, preset activation, MUTE function, etc.)
- Calendar events trigger, synchronization of contents hosted in the cloud (Cloud Disk Sync) and execution of “scripts” (files of instructions written by the user, Lua language – www.lua.org).
- Compatible with the JSON protocol.

APPLICATIONS

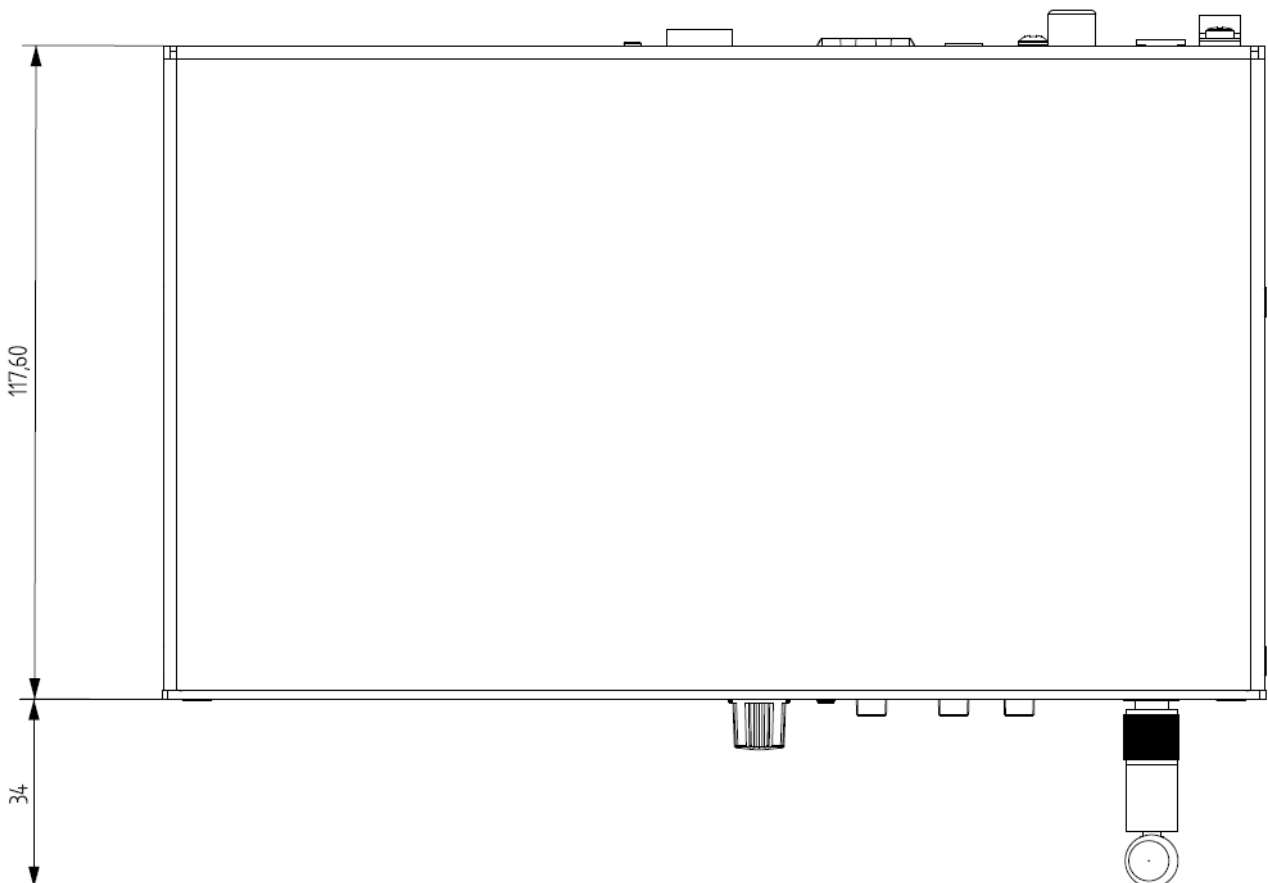
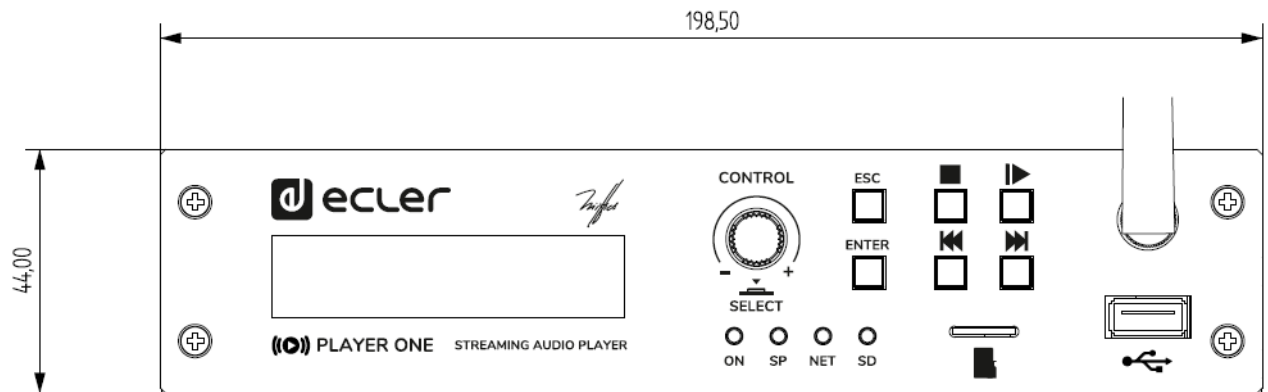
- Audio sound source in A/V corporate, retail and education applications
- BGM & Paging solutions, with message triggering and program BGM
- Integration in installation global control systems

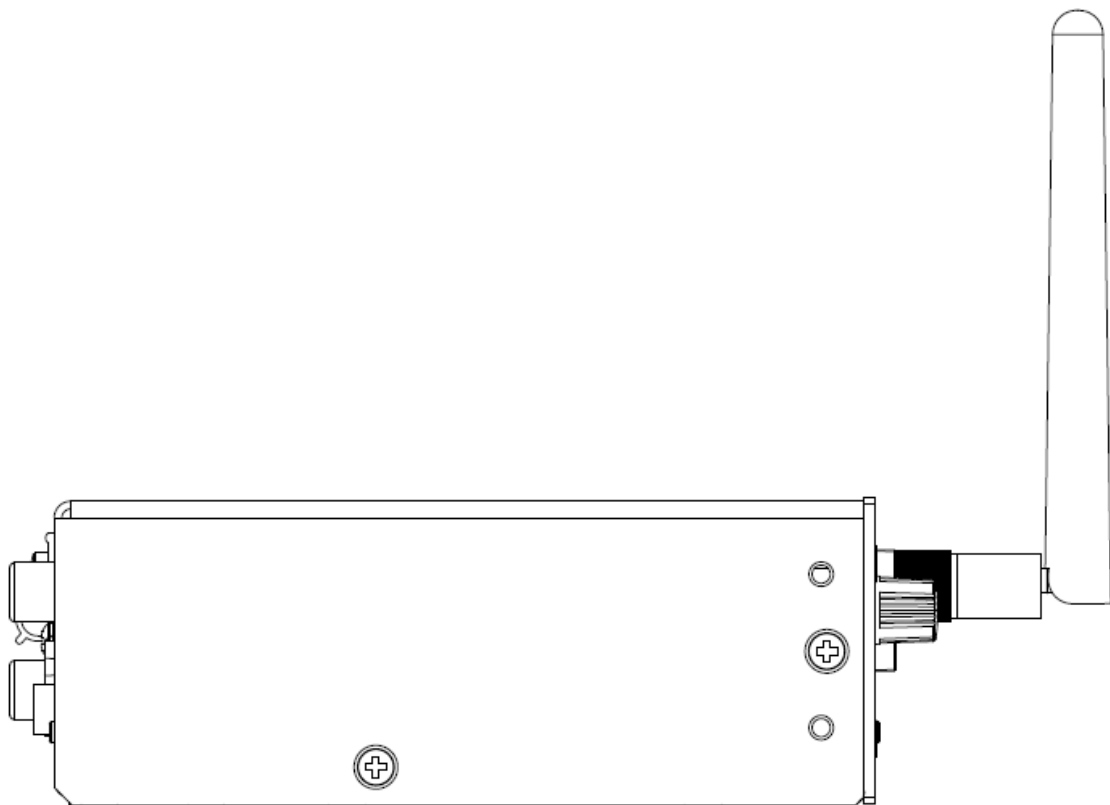
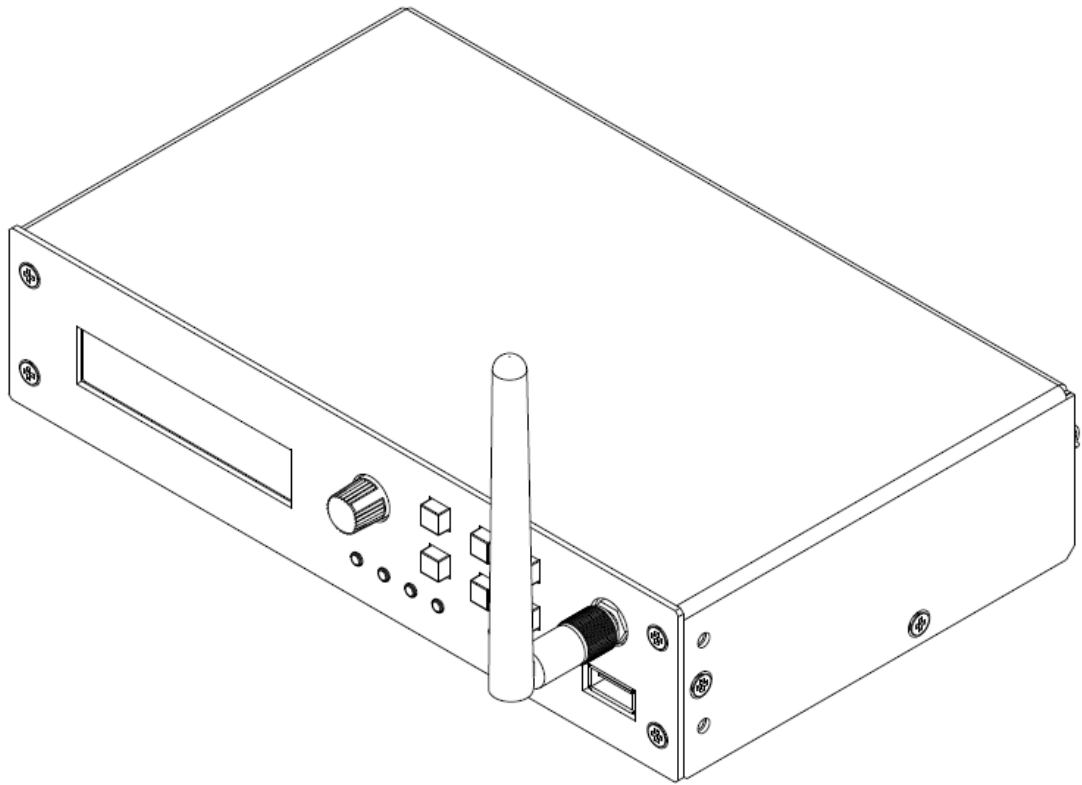
ACCESSORIES

- 1UHRMKIT (1RU Rack mount kit)



MECHANICAL DIAGRAMS





TECHNICAL SPECIFICATIONS

DIGITAL ENGINE	
Processor	MIPS Single Core 64bits 580MHz
AUDIO CONVERTERS	
Sampling rate	48kHz
Resolution	16bit
Bit rate	32~320kbps
Frequency response	5Hz - 24kHz (-3dB)
MEDIA PLAYER	
Audio sources	Local storage (USB & microSD), Internet radio, AirPlay, DLNA
Dynamic range	From -80 dB to 0 dB
THD + Noise	< 0.008% (1kHz, 1Vrms)
ANALOGUE AUDIO OUTPUTS	
Number of outputs	2 x Stereo output (unbalanced)
Connection type	RCA estéreo, minijack 3,5mm
Max output level	6dBV / 5k ohm
Output impedance	460 ohm
Dynamic range	TBC
Crosstalk	TBC
CONNECTIVITY	
Ethernet	RJ45 10/100Mbps
Wi-Fi	2.4GHz Wi-Fi, 802.11 b/g/n
Wi-Fi antenna	Front panel
Programing and control	Web Application, RePLAYER & Ecler Gallery. Third party integration: JSON
REMOTE CONTROL CONNECTIONS	
GPIs	2 ports, Dry contact to ground, 3 pin Terminal block
REAL-TIME CLOCK	
Retention time	240 hours aprox.
Accuracy	±1 minute / month
MONITORING AND CONTROL	
Display	LCD Alphanumeric 2x16 cells
LED indicators	Front panel: NET, SP, SD, Power Rear panel: Wifi
Buttons	Front panel: Encoder, Enter, Esc, Play/pause, Next, Prev, Stop Rear panel: Factory Defaults / Fail Safe (pin-hole)

LOCAL STORAGE	
Micro SD	Front panel micro SD slot Supports micro SD SDXC
USB	Front panel USB female connector Support USB 2.0 High Speed (480 Mbps)
Capacity	Up to 2TB
File system	Supports FAT16, FAT 32, VFAT and NTFS (read-only) Multi-partition up to 1
Playable audio files	mp3, ogg, WAV, FLAC, AIFF, m3u, pls
Files analysis	65354 playable folders 65354 playable folders within each folder 65354 playable files within each folder
Folder hierarchy	Up to 8 containing the root directory
Sorting	UNICODE Up to 100 folders, 100 files by folder (Folders/files over 100 sorted in the FAT order)
ELECTRICAL	
Power supply	External, universal, 5VDC (included)
AC mains requirement	90-264VCA 50-60Hz
AC mains connector	International AC plugs set
Power consumption	6 VA / 3 W
Ventilation	Passive
PHYSICAL	
Operating temperature	Min 0°C, +32°F Max +35°C, +95°F
Operating humidity	< 85% HR
Storage temperature	Min -10°C, +14°F Max +50°C, +122°F
Storage humidity	< 90% HR
Installation options	Desktop, rack (1/2 of 1UR)
Included accessories	AD/DC Power Supply, WiFi antenna, adhesive rubber feet, rack tray screws , GPI connector, warranty card and standard user guide
Optional accessories	1UHRMKIT
Dimensions	198.5 x 44 x 132 mm / 7.81" x 1.73" x 5.19"
Weight	0.8 Kg / 1.76 lb
Shipping dimensions	450 x 220 x 60 mm / 17.71" x 8.66" x 2.36"
Shipping weight	1 Kg / 2.20 lb
CERTIFICATIONS	
CB Report	Pending approval
EMC	Pending approval
FCC	Pending approval



All product characteristics are subject to variation due to production tolerances. **NEEC AUDIO BARCELONA S.L.** reserves the right to make changes or improvements in the design or manufacturing that may affect these product specifications.

For technical requests address to your supplier, distributor or fill the contact form in our website, at [Support / Technical Request](#).

Motors, 166-168 08038 Barcelona - Spain - (+34) 932238403 | information@ecler.com | www.ecler.com