

eMSP50Ti

SPECIALIZED LOUDSPEAKERS

Sound projector



PRODUCT OVERVIEW

eMSP50Ti is a 2-way 50W sound projector, carefully selected for the most widespread 70/100V applications: paging and background music. It offers durability and an optimal voice and music reproduction. It is made of reinforced ABS and IP66 certified, ideal for high performance outdoors.

KEY FEATURES

- Water-resistant ABS 2-way sound projector
- 50WRMS @ 8Ω
- Power options @ 100V: 50W / 25W / 12,5W / 9W / 4,5W / 2,6W & 8Ω
- Power options @ 70V: 25W / 12,5W / 9W / 4,5W / 2,6W / 1,3W & 8Ω
- IP66 certified
- Connection by terminal block
- Papyrus white finish (RAL 9018)

APPLICATIONS

- Commercial
- Corporate
- Leisure

TECHNICAL SPECIFICATIONS

eMSP50Ti

Drivers	6" woofer & 1" dome tweeter
Nominal Impedance	8Ω
Power Handling	50WRMS / 200W Peak
Power options @ 100V	50W / 25W / 12,5W / 9W / 4,5W / 2,6W & 8Ω
Power options @ 70V	25W / 12,5W / 9W / 4,5W / 2,6W / 1,3W & 8Ω
Frequency response (-10dB)	153 Hz-20 kHz
Coverage angle	66°x103° (HxV)
Sensitivity 1W/1m	95 dB
Maximum SPL	112dB continuous / 118dB peak
IP rating	IP66 (IEC60529 Certified)
Finished color	Papyrus white (RAL 9018)
Material	ABS
Operating and storage conditions	Min -20°C (-4°F); Max +60°C (+140°F)

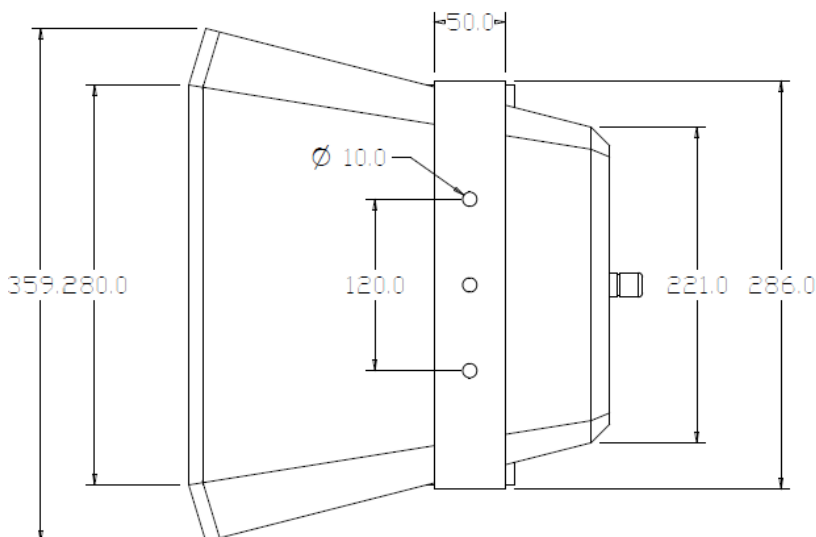
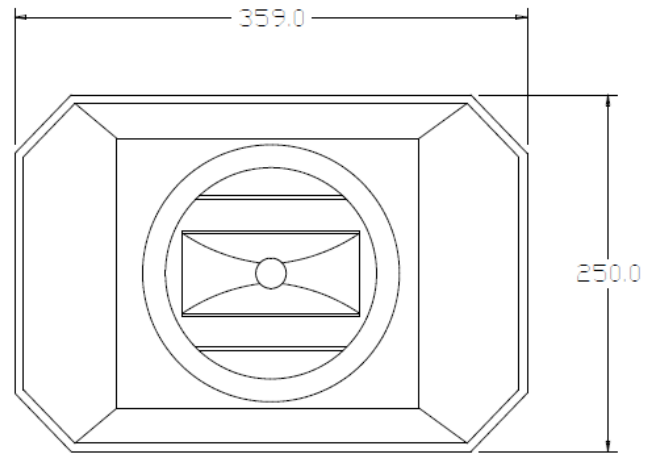
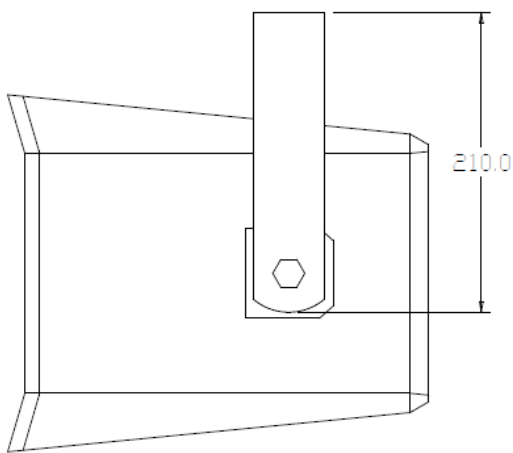
Dimensions (H x W x D) 252 x 362 x 310mm / 9.9" x 14.3" x 12.2"
 Weight 3,9 kg. / 8.6 lb.

WIRING CODE

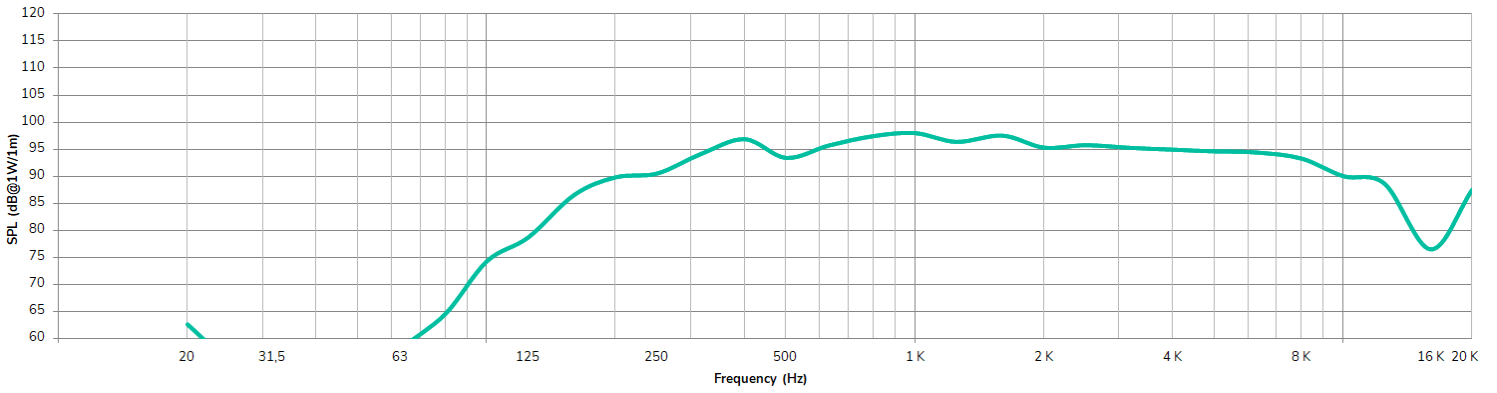
COLOR	@100V	@70V
RED - YELLOW	50W	25W
YELLOW - GREEN	25W	12,5W
GREEN - WHITE	12,5W	9W
RED - GREEN	9W	4,5W
YELLOW - WHITE	4,5W	2,6W
RED - WHITE	2,6W	1,3W
RED - BLACK	8Ω / 50W	8Ω / 50W

MECHANICAL DIAGRAMS

*Distances are in millimeters.

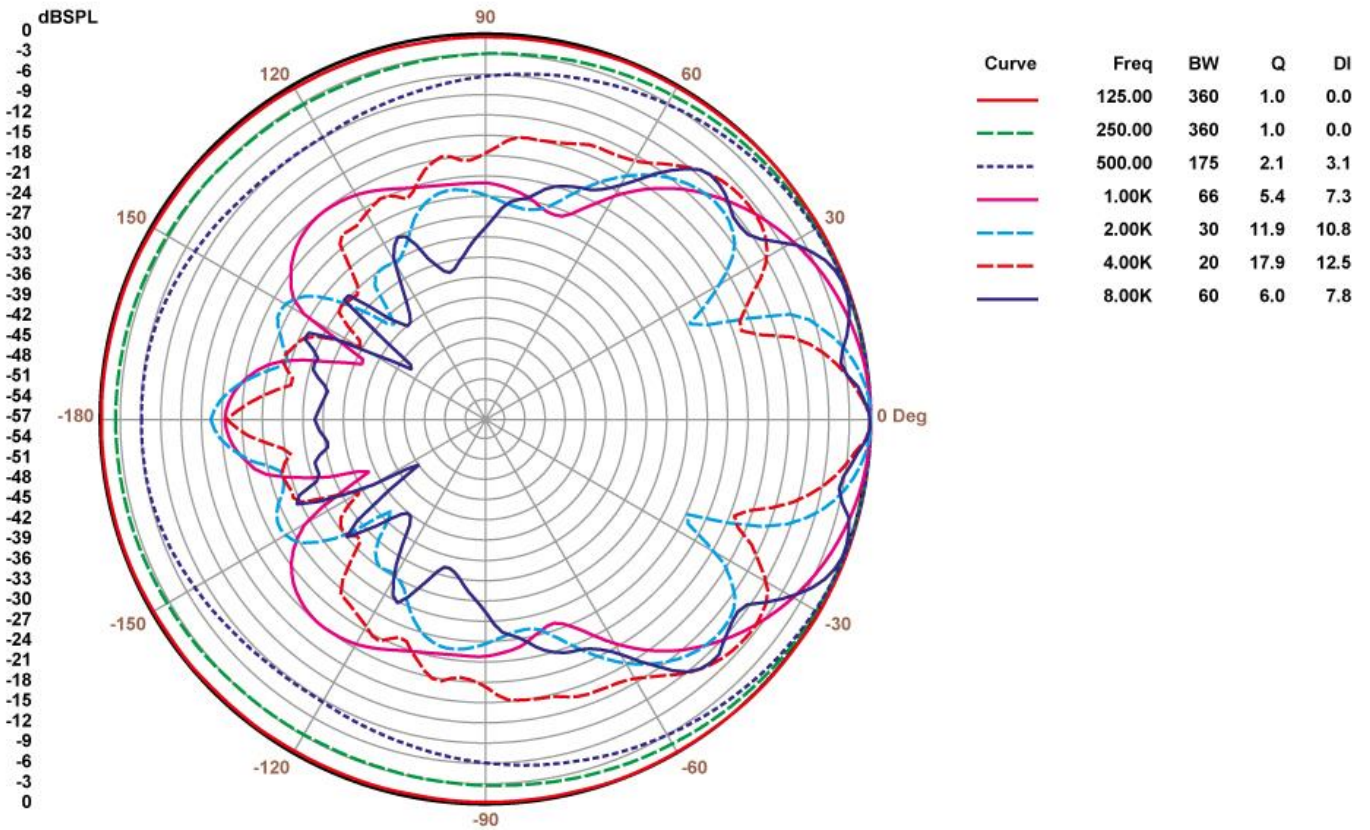


FREQUENCY RESPONSE DIAGRAMS

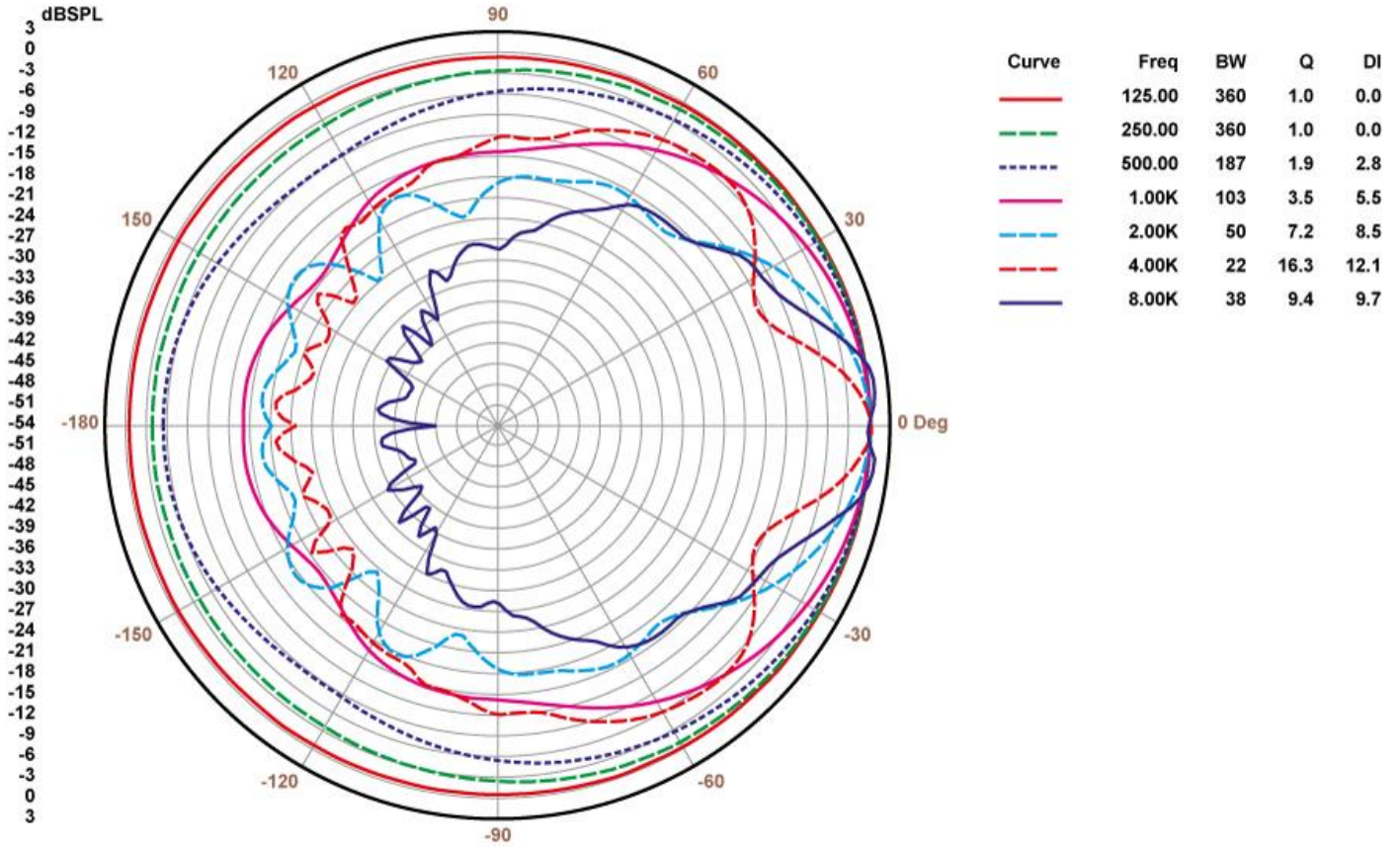


POLAR DIAGRAMS

Horizontal



Vertical



All product characteristics are subject to variation due to production tolerances. **NEEC AUDIO BARCELONA S.L.** reserves the right to make changes or improvements in the design or manufacturing that may affect these product specifications

For technical queries contact your supplier, distributor or complete the contact form on our website, in [Support / Technical requests](#).

Motors, 166-168 08038 Barcelona - Spain - (+34) 932238403 | information@ecler.com | www.ecler.com