

## eIC52MS

### CEILING LOUDSPEAKERS


*Marine / Sauna In-Ceiling Loudspeaker*



#### PRODUCT OVERVIEW

ECLER ESSENTIALS eIC52MS is a 2 way cost-effective in-ceiling loudspeaker with a great sound performance, suitable for installations exposed to extreme humidity and/or temperature. It features a 5" woofer and a 1" tweeter, 20 WRMS @ 8 ohm nominal power.

#### KEY FEATURES

- Two-way speaker, 5" woofer + 1" tweeter
- 20 WRMS
- Faston male input terminals: 4.8mm (+) and 2.8mm (-)
- Suitable for installations exposed to extreme humidity and/or temperature
- EASE Win file available 

#### APPLICATIONS

- Saunas
- Spas
- Aquariums
- Ships
- Harbours

## TECHNICAL SPECIFICATIONS

### eIC52MS

System	
Effective frequency range <sup>1</sup>	83 Hz-20 kHz
Coverage angle <sup>2</sup>	155°x155° (HxV)
Power handling	20 W RMS / 80 W Peak
Sensitivity <sup>3</sup>	91 dB (1W/1m)
Maximum SLP	104 dB continuous / 110 dB peak
Recommended amplifier power	40 W RMS
Transducers	
Ways	2
Low frequency driver	5" woofer
High frequency driver	1" tweeter
Nominal impedance	8Ω
Physical	
Connection type	Faston male input terminals: 4.8mm (+) and 2.8mm (-)
Installation options	In-ceiling, in-wall
Environmental	IP54 rated
Grille fixing system	4 x Screw fixing system
External diameter	165 mm / 6.5"
Internal diameter	120 mm / 4.72"
Finished colour	White (RAL 9016)
Required depth	79 mm / 3.11"
Weight	0.70 kg / 1.54 lb

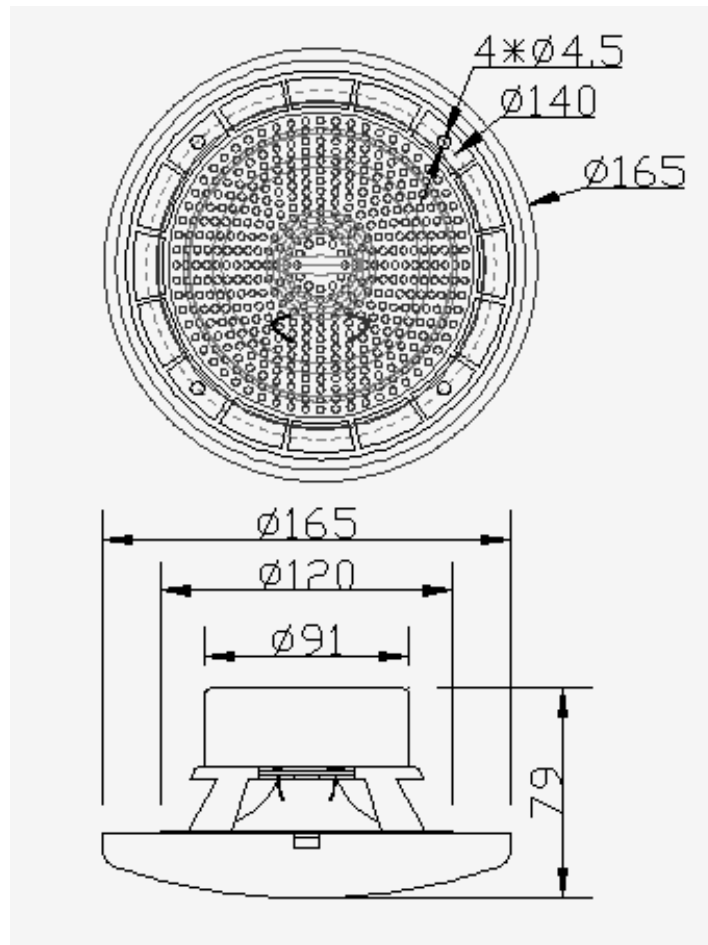
<sup>1</sup>10dB below the sound pressure level at specified sensitivity

<sup>2</sup>6dB below the sound pressure level than that at the direction of maximum level, Average from 1 kHz to 4 kHz.

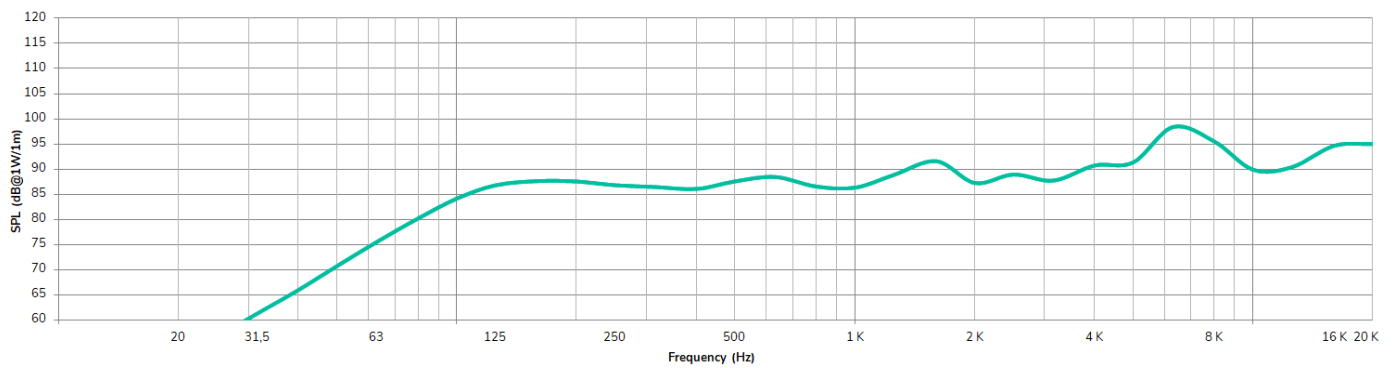
<sup>3</sup>Measured on-axis, far field and referenced to 1 meter by inverse square law. Average from 100 Hz to 10 kHz.

<sup>4</sup>Calculated from sensitivity and power handling specifications, exclusive of power compression

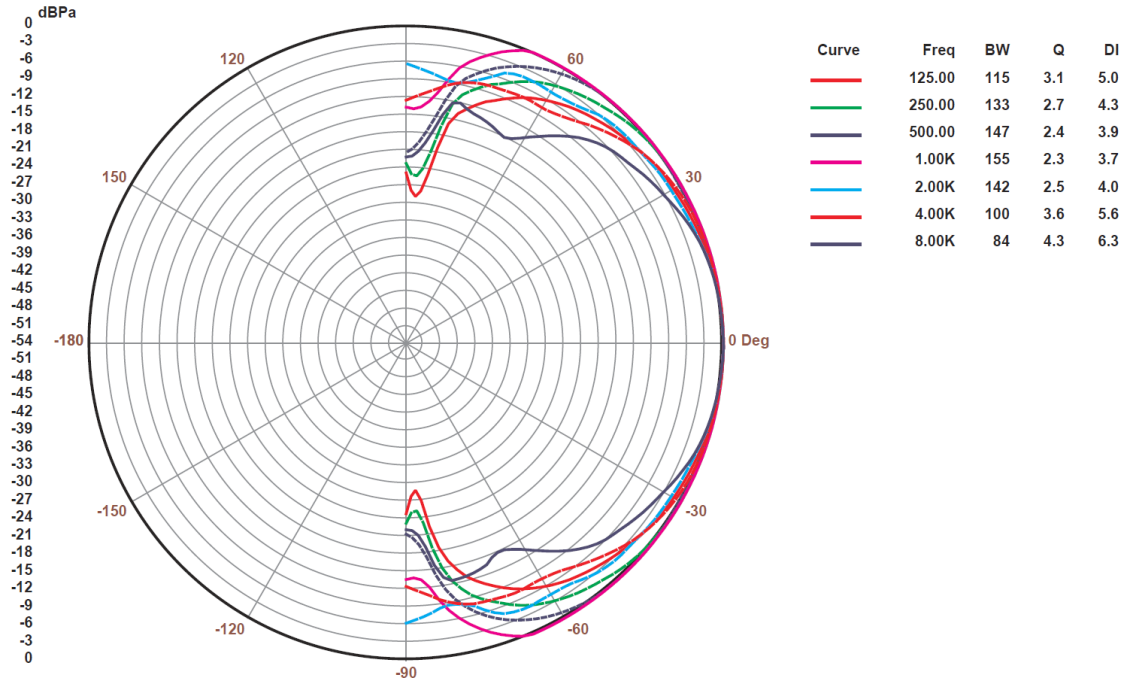
MECHANICAL DIAGRAM



FREQUENCY RESPONSE



POLAR DIAGRAMS





All product characteristics are subject to variation due to production tolerances. **NEEC AUDIO BARCELONA S.L.** reserves the right to make changes or improvements in the design or manufacturing that may affect these product specifications.

For technical requests address to your supplier, distributor or fill the contact form in our website, at [Support / Technical Request](#).

Motors, 166-168 08038 Barcelona - Spain - (+34) 932238403 | [information@ecler.com](mailto:information@ecler.com) | [www.ecler.com](http://www.ecler.com)