

TRAIL103

CABINET LOUDSPEAKERS


Rail-mount Loudspeaker



PRODUCT OVERVIEW

TRAIL103 is a 3" lamp style loudspeaker cabinet, featuring an installation system which is compatible with ceiling light rails, as well as surface mount, truss mount, etc. High Impedance (15W and 30W taps) and Low Impedance (4 ohm) connections included. Available in white and black colour.

KEY FEATURES

- 3" driver
- Mounting options (included): ceiling light rails*, surface mount and truss mount
- Low impedance connection: 4 Ω
- High impedance connection: 15/30W connections
- Available in white (RAL 9003) and black finish (RAL 9005)
- EASE Win file available 

*Compatible light rails: 4 wire 3 circuit track system such as Global Track Pro or other compatible systems.

APPLICATIONS

- Commercial
- Hospitality
- Education
- Corporate
- Sports and wellness

TECHNICAL SPECIFICATIONS

TRAIL103

System	
Effective frequency range ¹	115 Hz-20 kHz
Coverage angle ²	180°x180° (HxV)
Power handling	15 W RMS / 60 W Peak
Sensitivity ³	83 dB (1W/1m)
Maximum SPL ⁴	95 dB continuous / 101 dB peak
Power options	Lo-Z: 4 Ω; Hi-Z: 15/30 W @ 100V
Recommended amplifier power	30 W RMS
Transducers	
Ways	1
Driver	3" woofer
Nominal impedance	4Ω
Physical	
Connection type	Clamp terminals + Euroblock terminals
Installation options	Ceiling light rails, surface mount, truss mount
Mounting system	Cabinet
Rail fixing system	4 wire 3 circuit track system
Compatible rail systems	Global Track Pro or compatibles
Support arm	Swivel (pan and tilt)
Included accessories	Mounting accessories
Finished colour	White (RAL 9003) or black (RAL 9005)
Dimensions (ØxD) without arm	96x110mm / 3.78"x4.33"
Weight	1.0 kg / 2.2 lb

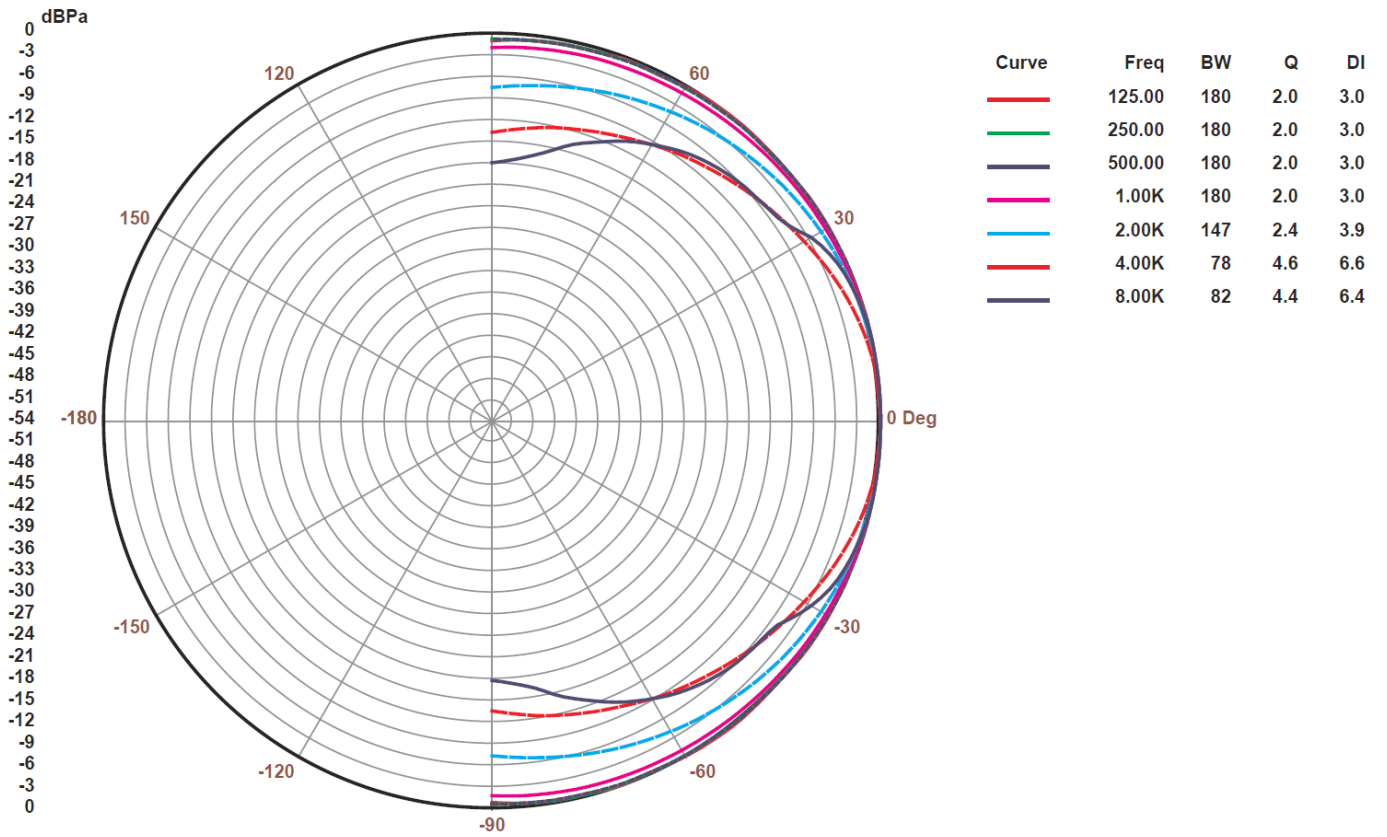
¹10dB below the sound pressure level at specified sensitivity

²6dB below the sound pressure level than that at the direction of maximum level, Max. angle between 1 kHz and 4 kHz.

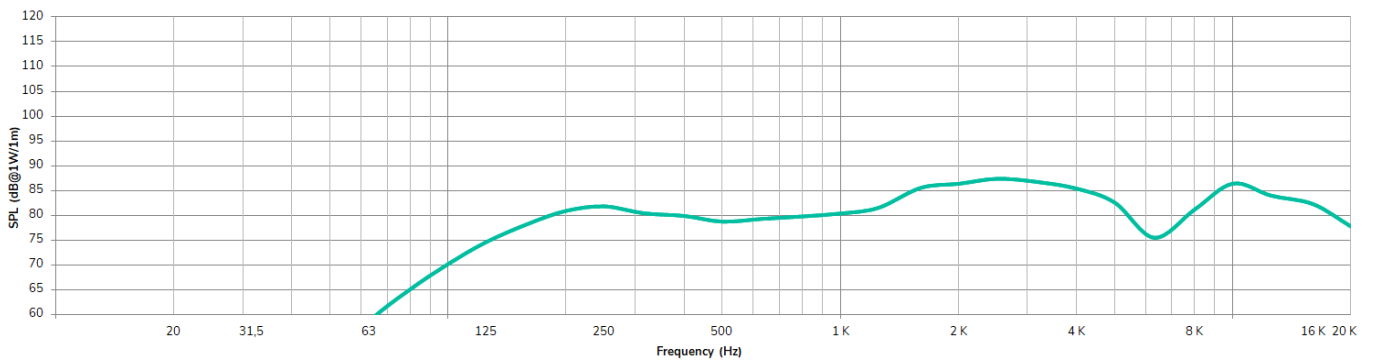
³Measured on-axis, far field and referenced to 1 meter by inverse square law. Average from 100 Hz to 10 kHz.

⁴Calculated from sensitivity and power handling specifications, exclusive of power compression

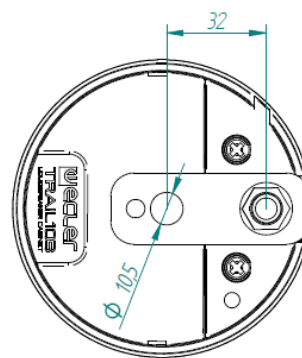
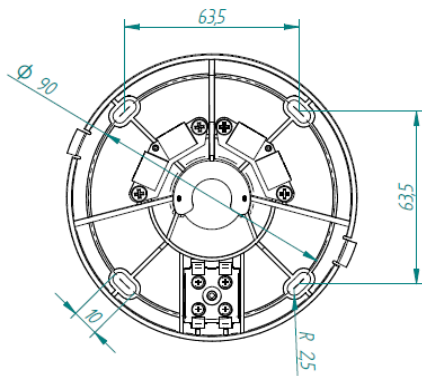
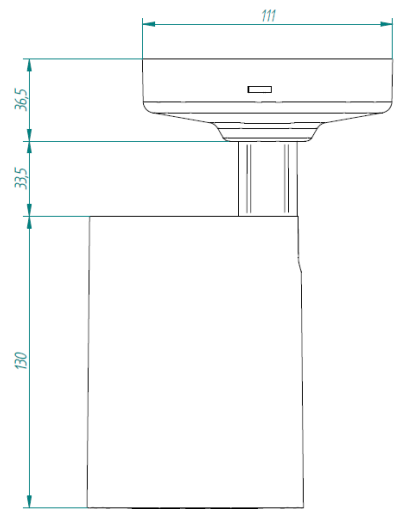
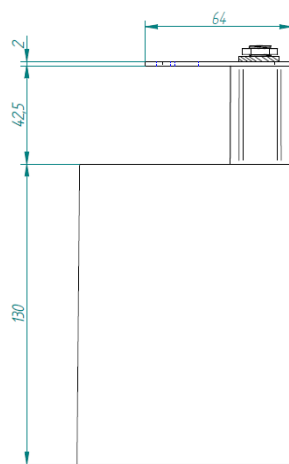
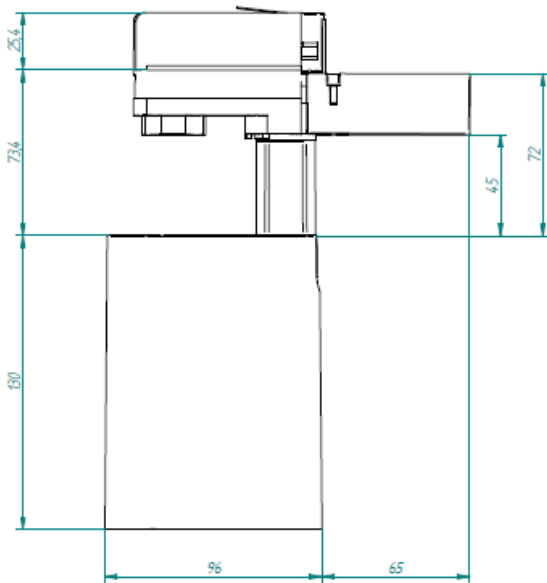
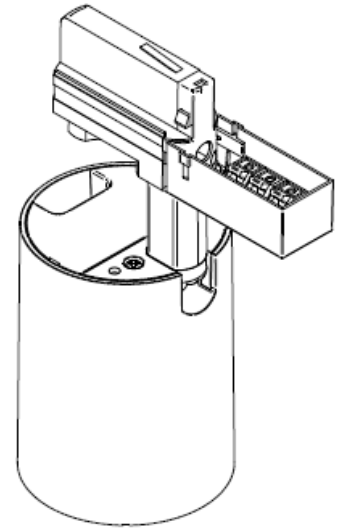
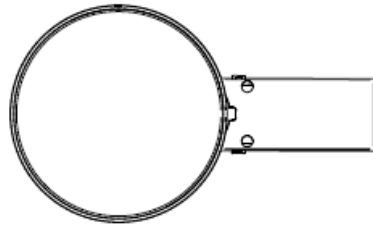
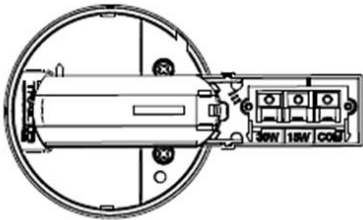
POLAR DIAGRAM



FREQUENCY RESPONSE

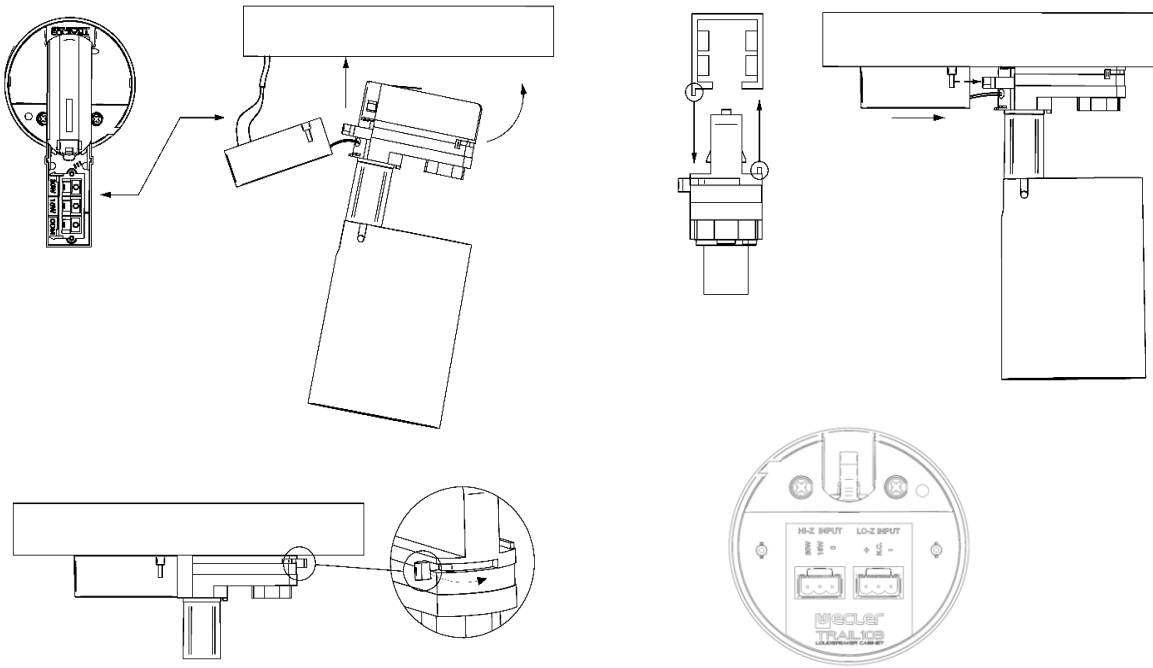


MECHANICAL DIAGRAM

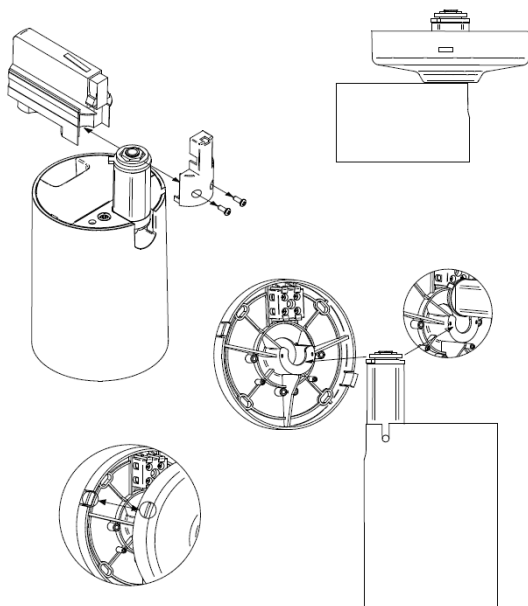


MOUNTING DIAGRAMS

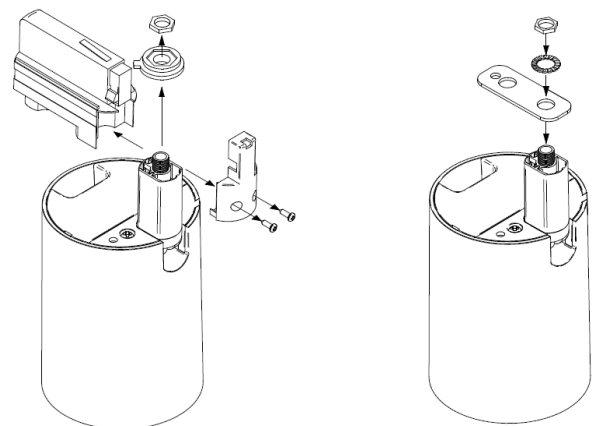
Rail mount accessory



Surface mount accessory



Truss mount accessory





All product characteristics are subject to variation due to production tolerances. **NEEC AUDIO BARCELONA S.L.** reserves the right to make changes or improvements in the design or manufacturing that may affect these product specifications.

For technical requests address to your supplier, distributor or fill the contact form in our website, at Support / Technical Request.

Motors, 166-168 08038 Barcelona - Spain - (+34) 932238403 | information@ecler.com | www.ecler.com